

1

Enclosures For demanding environments

We are specialists in enclosures and customer-specific enclosing solutions. Our standard product range includes thermoplastic, polyester, and aluminium enclosures, with the related accessories suitable for demanding environments.

Our enclosing solutions protect your electronic equipment in numerous applications from various external risk factors, among them dust, water, moisture, impacts and tampering. Thanks to their high degree of protection and impact strength, our solutions are able to withstand challenging environments in even the most demanding industries.

Typical applications include:

- › Food industry and agriculture
- › Infrastructure
- › Shipbuilding and transportation
- › Industrial automation
- › Energy production

How to choose the right enclosure?

Read more on ensto.com



Thermoplastic enclosures

Ensto Cubo thermoplastic enclosures are manufactured in high-quality halogen-free and recyclable polycarbonate or ABS plastics. Although plastic is much lighter than steel, it has very high impact-resistance. In addition, any dents or bumps are not as noticeable in plastic as they would be with steel. Both machining and maintenance of our thermoplastic enclosures is easy, and no special tools are needed.

BENEFITS:

- › Greater material thickness
- › Fibreglass-reinforced bases
- › Cost-efficient mold modifications
- › Lightweight products
- › Durability and easy maintenance



Range comparison



Ensto Cubo S enclosures, IP66 and IP67

- › Sizes: 75 x 125 x 35 to 175 x 250 x 150 mm
- › Available with plain sides or knockouts
- › Cover and cover screws equipped with sealing holes
- › Slots in the base for printed circuit boards



Ensto Cubo D enclosures, IP66 and IP67

- › Sizes: 53 x 55 x 36 to 230 x 300 x 111 mm
- › Available with plain sides
- › Contemporary design with faceted corners and cover plugs
- › Fastening pods inside the cover included
- › Slots in the base for printed circuit boards



Ensto Cubo O enclosures, IP66 and IP67

- › Sizes: 200 x 200 x 132 to 400 x 600 x 187 mm
- › Available with plain sides or with metric knockouts
- › 55-millimeter-deep extension frame available for alternative depths in all sizes
- › Cover and cover screws equipped with sealing holes
- › Cover that can also be mounted on the back of the base



Ensto Cubo C enclosures, IP66 and IP67

- › Sizes: 200 x 200 x 132 to 400 x 600 x 187 mm
- › Available with flange knockouts
- › Cover that can be mounted on the back of the base
- › 55-millimeter-deep extension frame available for alternative depths in all sizes
- › Covers and cover screws equipped with sealing holes
- › A products based on the Ensto Cubo O enclosure series



Ensto Cubo W wall cabinets, IP66 and IP67

- › Sizes: 200 x 200 x 132 to 400 x 600 x 187 mm
- › Available with plain sides
- › Pre-assembled hinges and quick-release latches as standard
- › A product based on the Ensto Cubo O enclosure series



Ensto Modulo distribution enclosures, IP65

- › Sizes: 166 x 231 x 113 to 418 x 586 x 148 mm
- › Available in 9 sizes, capacity for 4 to 54 modules
- › Factory installed DIN-rails, earth and neutral bars
- › Factory made metric knockouts from M20 to M40



Ensto terminal junction boxes, IP67

- › Sizes 125 x 125 x 75 to 300 x 600 x 132 mm
- › Include everything needed for connecting wires, extending or branching cables as well as enclosing
- › Available with Ensto Clampo Compact terminal blocks and Ensto Clampo Pro Universal terminals
- › Include either Ensto Cubo S or C enclosures

Ensto Cubo S enclosures

IP66 and IP67

Sizes 75 x 125 x 35 to 175 x 250 x 150 mm



Ensto Cubo S enclosure in brief:

- Available with plain sides or knockouts
- Available in 36 sizes, two base depths (25 and 50 mm) and 5 different cover heights
- Cover and cover screws equipped with sealing holes
- Slots in the base for printed circuit boards

Contents of the product package:

- Enclosure base
- Cover
- Cover screws
- Mounting screws

Further information

- Common enclosure accessories, page 34–37
- Product cards, dimensional drawings and 3D models can be found at ensto.com.

Conformity	
PC enclosures:	CE
Technical information	
Degree of protection:	IP66 and IP67
Impact resistance:	PC: IK08 (-25 °C... +35 °C)
Operating temperature:	PC: -40 °C ... +80 °C
Short term temperature range:	PC: -40 °C... +120 °C
Flammability rating:	PC: UL 746C 5 inch flame
UL File no:	E189312
UL category:	NITW, NITW7
Environmental type (UL):	4, 4X, 12, 13, 6
Environmental type (cUL):	4, 4X, 12, 6
Outdoor suitability:	PC: UL 746C f1 rated material
Insulation:	Class II
Material	
Base:	Fibreglass reinforced polycarbonate
Cover:	Polycarbonate
Cover screws:	Fibreglass reinforced polyamide
Gasket:	PUR (polyurethane)
Enclosure side types	
PC enclosures:	Plain sides, metric knockouts
Standard color	
Base:	Grey RAL 7035
Cover:	Grey RAL 7035 or transparent



The enclosure has unique slots in the base for printed circuit boards.



The cover can be sealed.



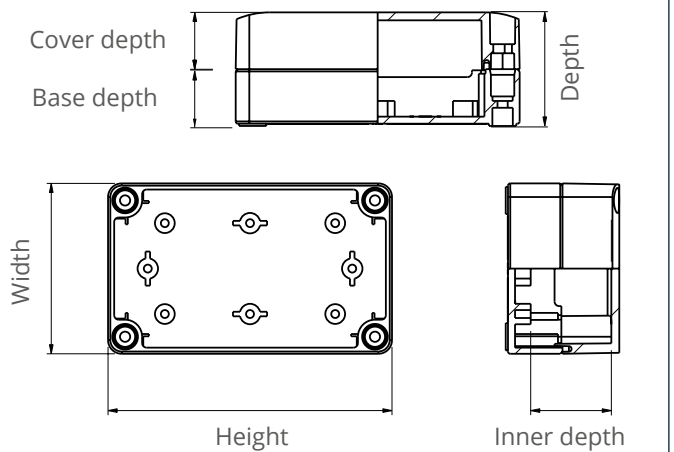
Enclosure with a low (10 mm) cover and a low (25 mm) base.



This enclosure is equipped with hinges (DSH1), cover plugs and wing head parts (SLW1).

Dimensions

You can find the following dimensions on the product tables. More information, product cards, dimensional drawings and 3D models can be found at ensto.com.



Ensto Cubo S enclosures with plain sides

Width (mm)	Height (mm)	Depth (mm)	Inner depth (mm)	Base depth (mm)	Cover depth (mm)	Polycarbonate grey cover (product code, GTIN-13)	Polycarbonate transparent cover (product code, GTIN-13)	UL-listed polycarbonate grey cover (product code, GTIN-13)	UL-listed polycarbonate transparent cover (product code, GTIN-13)	
75	125	35	20.5	25	10	SPCP081304LG 6438100101299	SPCP081304LT 6438100101305	SPCP081304LG.U 6438100115814	SPCP081304LT.U 6438100116170	
		50	35.5	25	25	SPCP081305LG 6438100101336	SPCP081305LT 6438100101343	SPCP081305LG.U 6438100115821	SPCP081305LT.U 6438100116187	
		60	45.5	50	10	SPCP081306G 6438100101374	SPCP081306T 6438100101381	SPCP081306G.U 6438100115838	SPCP081306T.U 6438100116194	
		75	60.5	25	50	SPCP081308LG 6438100101459	SPCP081308LT 6438100101466	SPCP081308LG.U 6438100115852	SPCP081308LT.U 6438100116200	
		75	60.5	50	25	SPCP081308G 6418677155031	SPCP081308T 6418677155024	SPCP081308G.U 6438100115845	SPCP081308T.U 6438100116217	
		100	85.5	25	75	SPCP081310LG 6438100101497	SPCP081310LT 6438100101503	SPCP081310LG.U 6438100115876	SPCP081310LT.U 6438100116224	
		100	85.5	50	50	SPCP081310G 6418677155086	SPCP081310T 6418677155093	SPCP081310G.U 6438100115869	SPCP081310T.U 6438100116231	
		125	110.5	50	75	SPCP081313G 6418677155147	SPCP081313T 6418677155154	SPCP081313G.U 6438100115883	SPCP081313T.U 6438100116248	
100	100	35	20.5	25	10	SPCP101004LG 6438100101534	SPCP101004LT 6438100101541	SPCP101004LG.U 6438100115890	SPCP101004LT.U 6438100116255	
		60	45.5	50	10	SPCP101006G 6438100101619	SPCP101006T 6438100101626	SPCP101006G.U 6438100115906	SPCP101006T.U 6438100116262	
125	125	35	20.5	25	10	SPCP131304LG 6438100101671	SPCP131304LT 6438100101688	SPCP131304LG.U 6438100115913	SPCP131304LT.U 6438100116279	
		50	35.5	25	25	SPCP131305LG 6438100101718	SPCP131305LT 6438100101725	SPCP131305LG.U 6438100115920	SPCP131305LT.U 6438100116286	
		60	45.5	50	10	SPCP131306G 6438100101756	SPCP131306T 6438100101763	SPCP131306G.U 6438100115937	SPCP131306T.U 6438100116293	
		75	60.5	25	50	SPCP131308LG 6438100101817	SPCP131308LT 6438100101824	SPCP131308LG.U 6438100115944	SPCP131308LT.U 6438100116316	
		75	60.5	50	25	SPCP131308G 6418677155208	SPCP131308T 6418677155215	SPCP131308G.U 6438100115951	SPCP131308T.U 6438100116309	
		100	85.5	25	75	SPCP131310LG 6438100101855	SPCP131310LT 6438100101862	SPCP131310LG.U 6438100115968	SPCP131310LT.U 6438100116330	
		100	85.5	50	50	SPCP131310G 6418677155260	SPCP131310T 6418677155277	SPCP131310G.U 6438100115975	SPCP131310T.U 6438100116323	
		125	110.5	50	75	SPCP131313G 6418677155321	SPCP131313T 6418677155338	SPCP131313G.U 6438100115982	SPCP131313T.U 6438100116347	
	175	175	35	20.5	25	10	SPCP131804LG 6438100101893	SPCP131804LT 6438100101909	SPCP131804LG.U 6438100115999	SPCP131804LT.U 6438100116354
			50	35.5	25	25	SPCP131805LG 6438100101930	SPCP131805LT 6438100101947	SPCP131805LG.U 6438100116002	SPCP131805LT.U 6438100116361
			60	45.5	50	10	SPCP131806G 6438100101978	SPCP131806T 6438100101985	SPCP131806G.U 6438100116019	SPCP131806T.U 6438100116378
			75	60.5	25	50	SPCP131808LG 6438100102050	SPCP131808LT 6438100102067	SPCP131808LG.U 6438100116033	SPCP131808LT.U 6438100116385
			75	60.5	50	25	SPCP131808G 6418677155383	SPCP131808T 6418677155390	SPCP131808G.U 6438100116026	SPCP131808T.U 6438100116392
			100	85.5	25	75	SPCP131810LG 6438100102098	SPCP131810LT 6438100102104	SPCP131810LG.U 6438100116057	SPCP131810LT.U 6438100116408
			100	85.5	50	50	SPCP131810G 6418677155444	SPCP131810T 6418677155451	SPCP131810G.U 6438100116040	SPCP131810T.U 6438100116415
			125	110.5	25	100	SPCP131813LG 6438100102135	SPCP131813LT 6438100102142	SPCP131813LG.U 6438100116064	SPCP131813LT.U 6438100116422
			125	110.5	50	75	SPCP131813G 6418677155505	SPCP131813T 6418677155512	SPCP131813G.U 6438100116071	SPCP131813T.U 6438100116439
			150	135.5	50	100	SPCP131815G 6418677155567	SPCP131815T 6418677155574	SPCP131815G.U 6438100116088	SPCP131815T.U 6438100116446
	250	250	125	110.5	50	75	SPCP132513G 6438100104696	SPCP132513T 6438100104702	SPCP132513G.U 6438100116095	SPCP132513T.U 6438100116453
			75	60.5	50	25	SPCP181808G 6418677155628	SPCP181808T 6418677155635	SPCP181808G.U 6438100116101	SPCP181808T.U 6438100116477
	175	175	100	85.5	50	50	SPCP181810G 6418677155680	SPCP181810T 6418677155697	SPCP181810G.U 6438100116118	SPCP181810T.U 6438100116484
			125	110.5	50	75	SPCP181813G 6418677155741	SPCP181813T 6418677155758	SPCP181813G.U 6438100116125	SPCP181813T.U 6438100116460
			150	135.5	50	100	SPCP181815G 6418677155802	SPCP181815T 6418677155819	SPCP181815G.U 6438100116132	SPCP181815T.U 6438100116491
			75	60.5	50	25	SPCP182508G 6418677155864	SPCP182508T 6418677155871	SPCP182508G.U 6438100116149	SPCP182508T.U 6438100116507
250		100	85.5	50	50	SPCP182510G 6418677155925	SPCP182510T 6418677155932	SPCP182510G.U 6438100116156	SPCP182510T.U 6438100116514	
		150	135.5	50	100	SPCP182515G 6418677155987	SPCP182515T 6418677155994	SPCP182515G.U 6438100116163	SPCP182515T.U 6438100116521	



SPCP131304LG



SPCP131813G



SPCP131308T



SPCP182515T



Ensto Cubo S enclosures with metric knockouts, polycarbonate

Width (mm)	Height (mm)	Depth (mm)	Inner depth (mm)	Base depth (mm)	Cover depth (mm)	Polycarbonate grey cover metric knockouts (product code, GTIN-13)	Polycarbonate transparent cover metric knockouts (product code, GTIN-13)	UL-listed polycarbonate grey cover metric knockouts (product code, GTIN-13)	UL-listed polycarbonate transparent cover metric knockouts (product code, GTIN-13)	
75	125	60	45.5	50	10	SPCM081306G ⁽¹⁾ 6438100101411	SPCM081306T ⁽¹⁾ 6438100101428	SPCM081306G.U ⁽¹⁾ 6438100115371	SPCM081306T.U ⁽¹⁾ 6438100115593	
		75	60.5	50	25	SPCM081308G ⁽¹⁾ 6418677166338	SPCM081308T ⁽¹⁾ 6418677166525	SPCM081308G.U ⁽¹⁾ 6438100115388	SPCM081308T.U ⁽¹⁾ 6438100115609	
		100	85.5	50	50	SPCM081310G ⁽¹⁾ 6418677166365	SPCM081310T ⁽¹⁾ 6418677166532	SPCM081310G.U ⁽¹⁾ 6438100115395	SPCM081310T.U ⁽¹⁾ 6438100115616	
		125	110.5	50	75	SPCM081313G ⁽¹⁾ 6418677166372	SPCM081313T ⁽¹⁾ 6418677166549	SPCM081313G.U ⁽¹⁾ 6438100115401	SPCM081313T.U ⁽¹⁾ 6438100115623	
100	100	60	45.5	50	10	SPCM101006G ⁽²⁾ 6438100101657	SPCM101006T ⁽²⁾ 6438100101664	SPCM101006G.U ⁽²⁾ 6438100115418	SPCM101006T.U ⁽²⁾ 6438100115630	
125	125	60	45.5	50	10	SPCM131306G ⁽³⁾ 6438100100445	SPCM131306T ⁽³⁾ 6438100100452	SPCM131306G.U ⁽³⁾ 6438100115425	SPCM131306T.U ⁽³⁾ 6438100115647	
		75	60.5	50	25	SPCM131308G ⁽³⁾ 6418677166389	SPCM131308T ⁽³⁾ 6418677166556	SPCM131308G.U ⁽³⁾ 6438100115432	SPCM131308T.U ⁽³⁾ 6438100115654	
		100	85.5	50	50	SPCM131310G ⁽³⁾ 6418677166396	SPCM131310T ⁽³⁾ 6418677166563	SPCM131310G.U ⁽³⁾ 6438100115449	SPCM131310T.U ⁽³⁾ 6438100115661	
		125	110.5	50	75	SPCM131313G ⁽³⁾ 6418677166402	SPCM131313T ⁽³⁾ 6418677166570	SPCM131313G.U ⁽³⁾ 6438100115456	SPCM131313T.U ⁽³⁾ 6438100115678	
	175	60	45.5	50	10	SPCM131806G ⁽⁴⁾ 6438100102012	SPCM131806T ⁽⁴⁾ 6438100102029	SPCM131806G.U ⁽⁴⁾ 6438100115463	SPCM131806T.U ⁽⁴⁾ 6438100115685	
		75	60.5	50	25	SPCM131808G ⁽⁴⁾ 6418677166419	SPCM131808T ⁽⁴⁾ 6418677166587	SPCM131808G.U ⁽⁴⁾ 6438100115470	SPCM131808T.U ⁽⁴⁾ 6438100115692	
		100	85.5	50	50	SPCM131810G ⁽⁴⁾ 6418677166426	SPCM131810T ⁽⁴⁾ 6418677166594	SPCM131810G.U ⁽⁴⁾ 6438100115487	SPCM131810T.U ⁽⁴⁾ 6438100115708	
		125	110.5	50	75	SPCM131813G ⁽⁴⁾ 6418677166433	SPCM131813T ⁽⁴⁾ 6418677166600	SPCM131813G.U ⁽⁴⁾ 6438100115494	SPCM131813T.U ⁽⁴⁾ 6438100115715	
	250	150	135.5	50	100	SPCM131815G ⁽⁴⁾ 6418677166440	SPCM131815T ⁽⁴⁾ 6418677166617	SPCM131815G.U ⁽⁴⁾ 6438100115500	SPCM131815T.U ⁽⁴⁾ 6438100115722	
		125	110.5	50	75	SPCM132513G ⁽⁷⁾ 6438100104733	SPCM132513T ⁽⁷⁾ 6438100104740	SPCM132513G.U ⁽⁷⁾ 6438100115517	SPCM132513T.U ⁽⁷⁾ 6438100115739	
		175	75	60.5	50	25	SPCM181808G ⁽⁵⁾ 6418677166457	SPCM181808T ⁽⁵⁾ 6418677166624	SPCM181808G.U ⁽⁵⁾ 6438100115524	SPCM181808T.U ⁽⁵⁾ 6438100115746
			100	85.5	50	50	SPCM181810G ⁽⁵⁾ 6418677166464	SPCM181810T ⁽⁵⁾ 6418677166631	SPCM181810G.U ⁽⁵⁾ 6438100115531	SPCM181810T.U ⁽⁵⁾ 6438100115753
125	110.5		50	75	SPCM181813G ⁽⁵⁾ 6418677166471	SPCM181813T ⁽⁵⁾ 6418677166648	SPCM181813G.U ⁽⁵⁾ 6438100115548	SPCM181813T.U ⁽⁵⁾ 6438100115760		
250	150	135.5	50	100	SPCM181815G ⁽⁵⁾ 6418677166488	SPCM181815T ⁽⁵⁾ 6418677166655	SPCM181815G.U ⁽⁵⁾ 6438100115555	SPCM181815T.U ⁽⁵⁾ 6438100115777		
	75	60.5	50	25	SPCM182508G ⁽⁶⁾ 6418677166495	SPCM182508T ⁽⁶⁾ 6418677166662	SPCM182508G.U ⁽⁶⁾ 6438100115562	SPCM182508T.U ⁽⁶⁾ 6438100115784		
	100	85.5	50	50	SPCM182510G ⁽⁶⁾ 6418677166501	SPCM182510T ⁽⁶⁾ 6418677166679	SPCM182510G.U ⁽⁶⁾ 6438100115579	SPCM182510T.U ⁽⁶⁾ 6438100115791		
		150	135.5	50	100	SPCM182515G ⁽⁶⁾ 6418677166518	SPCM182515T ⁽⁶⁾ 6418677166686	SPCM182515G.U ⁽⁶⁾ 6438100115586	SPCM182515T.U ⁽⁶⁾ 6438100115807	

¹⁾ 2 x M16/25 + 6 x M12/20 knockouts

²⁾ 2 x M16/25 + 4 x M12/20 knockouts

³⁾ 4 x M16/25 + 6 x M12/20 knockouts

⁴⁾ 4 x M16/25 + 8 x M12/20 knockouts

⁵⁾ 4 x M12/20 + 4 x M16/25 + 10 x M12/20 knockouts

⁶⁾ 4 x M12/20 + 4 x M16/25 + 12 x M12/20 knockouts

⁷⁾ 4 x M20/25 knockouts

Mounting plates and DIN rails

Product code	Description	Dimensions (mm)	Package size (pcs)	GTIN-13
Mounting plates, galvanized steel				
SMP0813	For 75 x 125 mm enclosures	48 x 98 x 1.5	10	6418677156038
SMP1010	For 100 x 100 mm enclosures	78 x 78 x 1.5	10	6438100104849
SMP1313	For 125 x 125 mm enclosures	98 x 98 x 1.5	10	6418677156045
SMP1318	For 125 x 175 mm enclosures	98 x 148 x 1.5	10	6418677156052
SMP1325	For 125 x 250 mm enclosures	98 x 223 x 1.5	10	6438100104535
SMP1818	For 175 x 175 mm enclosures	148 x 148 x 1.5	10	6418677156069
SMP1825	For 175 x 250 mm enclosures	148 x 223 x 1.5	10	6418677156076
DIN rails, DIN 46277/3, galvanized steel				
DR3504.4	For 75 mm sides	35 x 50	10	6418677156090
DR3507.4	For 100 mm sides	35 x 80	10	6438100104450
DR3509.4	For 125 mm sides	35 x 100	10	6418677156106
DR3514.4	For 175 mm sides	35 x 150	10	6418677156113
DR3521.4	For 250 mm sides	35 x 225	10	6418677156120



SMP0813

Other accessories

Product code	Description	Dimensions (mm)	Package size (pcs)	GTIN-13
DSH11	Hinge, pair, polycarbonate	28 x 28	1	6418677156144
SFL1	Fastening lug, set of 4 pcs, polycarbonate	15 x 30	1	6418677156151
SBI1	Insert for pods, brass	M2	50	6418677156168
SBI1.04	Insert, set of 4 pcs	M2	1	6418677156830
SBS40	Spacer, 40 mm, for panels	7 x 48	12	6438100086022
SMS1	Mounting screw for plates and rails, steel	4 x 8	100	6418677156175
SCP08	Cover plug, short, for 25 mm cover	ø11 x 12	10	6418677156847
SCP10	Cover plug, long, for 50 mm cover	ø12 x 36.5	10	6418677156854
SCP1315	Cover plug, short, for 75 and 100 mm covers	ø11.5 x 12	10	6418677156861
SLS35	Cover screw, medium	11 x 35	100	6418677156182
SLS60	Cover screw, long, for 50 mm covers	11 x 60	50	6418677156199
SLSA23.04	Screw set, Includes 4 short cover screws for 10 mm cover and 4 mounting screws SMS1	11 x 23	1	6438100100407
SLSA35.04	Screw set, Includes 4 medium cover screws SLS35 and 4 mounting screws SMS1	11 x 35	1	6418677154980
SLSA60.04	Screw set, Includes 4 long cover screws for 50 mm cover SLS60 and 4 mounting screws SMS1	11 x 60	1	6418677154997
SLW1	Cover screw's wing head part, only for 25 and 50 mm covers	11 x 17	10	6418677154867



Hinge pair, DSH11.

Ensto Cubo D enclosures

IP66 and 67

Sizes 53 x 55 x 36 to 230 x 300 x 111 mm



Ensto Cubo D enclosure in brief:

- Available with plain sides
- Contemporary design with faceted corners and cover plugs
- Includes fastening pods inside the cover
- Slots in the base for printed circuit boards

Contents of the product package:

- Enclosure base
- Cover
- Cover screws
- Mounting screws
- Cover plugs for cover screws

Further information

- Common enclosure accessories, page 34–37
- Product cards, dimensional drawings and 3D models can be found at ensto.com.



Ensto Cubo D enclosures include fastening pods inside the cover.

This enclosure is equipped with hinges (DSH11) and fastening lugs (DFL1).

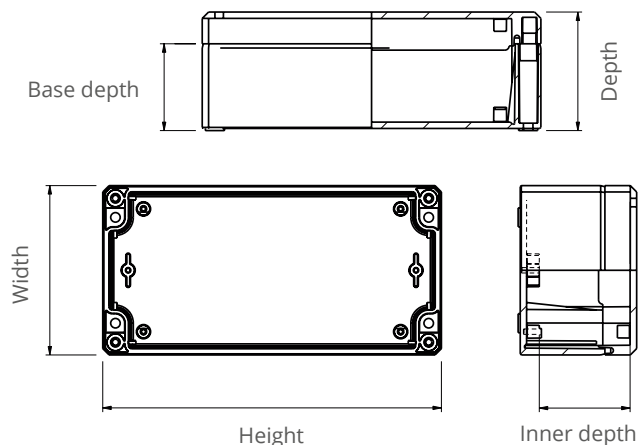


Ensto Cubo D enclosures have a modern design with faceted corners and cover plugs.

Conformity	
PC enclosures:	CE ^{RoHS} FI UL cUL G L
Technical information	
Degree of protection:	IP66 and IP67
Impact resistance:	PC: IK08 (-25 °C... +35 °C)
Operating temperature:	PC: -40 °C ... +80 °C
Short term temperature range:	PC: -40 °C... +120 °C
Flammability rating:	PC: UL 746C 5 inch flame
UL File no:	E189312
UL category:	NITW, NITW7
Environmental type (UL):	4, 4X, 12, 13, 6
Outdoor suitability:	PC: UL 746C f1 rated material
Insulation:	Class II
Material	
Base/cover:	Polycarbonate
Cover screws:	Stainless steel
Gasket:	PUR (polyurethane)
Enclosure side types	
PC enclosures:	Plain sides
Standard color	
Base:	Grey RAL 7035
Cover:	Grey RAL 7035 or transparent

Dimensions

You can find the following dimensions on the product tables. More information, product cards, dimensional drawings and 3D models can be found at ensto.com.



Ensto Cubo D enclosures with plain sides

Width (mm)	Height (mm)	Depth (mm)	Base depth (mm)	Inner depth (mm)	Polycarbonate grey cover (Product code, GTIN-13)	Polycarbonate transparent cover (Product code, GTIN-13)	UL -listed polycarbonate grey cover (Product code, GTIN-13)	UL -listed Polycarbonate transparent cover (Product code, GTIN-13)
53	55	36	26	27.5	DPCP050504G 6418677150005	DPCP050504T 6418677150012	DPCP050504G.U 6438100116538	DPCP050504T.U 6438100116705
	63	36	26	25.0	DPCP050704G 6418677150043	DPCP050704T 6418677150050	DPCP050704G.U 6438100116545	DPCP050704T.U 6438100116712
80	82	56	41	42.0	DPCP080806G 6418677150081	DPCP080806T 6418677150098	DPCP080806G.U 6438100116552	DPCP080806T.U 6438100116729
		86	71	72.0	DPCP080809G 6418677150128	DPCP080809T 6418677150135	DPCP080809G.U 6438100116569	DPCP080809T.U 6438100116736
	120	56	41	42.0	DPCP081206G 6418677150166	DPCP081206T 6418677150173	DPCP081206G.U 6438100116576	DPCP081206T.U 6438100116743
		86	71	72.0	DPCP081209G 6418677150203	DPCP081209T 6418677150210	DPCP081209G.U 6438100116583	DPCP081209T.U 6438100116750
	160	56	41	42.0	DPCP081606G 6418677150241	DPCP081606T 6418677150258	DPCP081606G.U 6438100116590	DPCP081606T.U 6438100116767
		86	71	72.0	DPCP081609G 6418677150289	DPCP081609T 6418677150296	DPCP081609G.U 6438100116606	DPCP081609T.U 6438100116774
120	122	56	41	42.0	DPCP121206G 6418677150326	DPCP121206T 6418677150333	DPCP121206G.U 6438100116613	DPCP121206T.U 6438100116781
		86	71	72.0	DPCP121209G 6418677150364	DPCP121209T 6418677150371	DPCP121209G.U 6438100116620	DPCP121209T.U 6438100116798
	160	91	61	77.5	DPCP121609G 6418677150401	DPCP121609T 6418677150418	DPCP121609G.U 6438100116637	DPCP121609T.U 6438100116804
200	86	71	72.0	DPCP122009G 6418677150487	DPCP122009T 6418677150494	DPCP122009G.U 6438100116644	DPCP122009T.U 6438100116811	
150	200	76	61	62.0	DPCP152008G 6418677150562	DPCP152008T 6418677150579	DPCP152008G.U 6438100116651	DPCP152008T.U 6438100116828
160	240	91	76	77.5	DPCP162409G 6418677150609	DPCP162409T 6418677150616	DPCP162409G.U 6438100116668	DPCP162409T.U 6438100116835
		121	76	107.5	DPCP162412G 6418677150647	DPCP162412T 6418677150654	DPCP162412G.U 6438100116675	DPCP162412T.U 6438100116842
230	300	86	56	72.5	DPCP233009G 6418677150722	DPCP233009T 6418677150739	DPCP233009G.U 6438100116682	DPCP233009T.U 6438100116859
		111	56	97.5	DPCP233011G 6418677150760	DPCP233011T 6418677150777	DPCP233011G.U 6438100116699	DPCP233011T.U 6438100116866



DPCP081206G



DPCP233011T

Mounting plates and DIN rails

Product code	Description	Dimensions (mm)	Package size (pcs)	GTIN-13
Mounting plates, galvanized steel				
DMP0808	For 80 x 82 mm enclosures	55 x 65 x 1.5	10	6418677150821
DMP0812	For 80 x 120 mm enclosures	65 x 93 x 1.5	10	6418677150838
DMP0816	For 80 x 160 mm enclosures	65 x 133 x 1.5	10	6418677150845
DMP1212	For 120 x 122 mm enclosures	95 x 105 x 1.5	10	6418677150852
DMP1216	For 120 x 160 mm enclosures	105 x 132 x 1.5	10	6418677150869
DMP1220	For 120 x 200 mm enclosures	105 x 172 x 1.5	10	6418677150876
DMP1520	For 150 x 200 mm enclosures	133 x 172 x 1.5	10	6418677150890
DMP1624	For 160 x 240 mm enclosures	145 x 213 x 1.5	10	6418677150906
DMP2330	For 230 x 300 mm enclosures	210 x 285 x 1.5	10	6418677150920
DIN rails 15 mm, DIN 46277/3, galvanized steel				
DR15016.4	For 53 x 55 mm enclosures	15 x 26	10	6418677150937
DR15038.4	For 53 x 63 mm enclosures	15 x 48	10	6418677150944
DR15058.4	For 80 x 82 mm enclosures	15 x 68	10	6418677150951
DR15096.4	For 80 x 120 mm and 120 x 122 mm enclosures	15 x 106	10	6418677150975
DR15136.4	For 80 x 160 mm and 120 x 160 mm enclosures	15 x 146	10	6418677150999
DIN rails 35 mm, DIN 46277/3, galvanized steel				
DR35058.4	For 80 x 82 mm enclosures	35 x 68	10	6418677150968
DR35096.4	For 80 x 120 mm and 120 x 122 mm enclosures	35 x 106	10	6418677150982
DR35136.4	For 80 x 160 mm and 120 x 160 mm enclosures	35 x 146	10	6418677151002
DR35160.4	For 150 x 200 mm enclosures	35 x 170	10	6418677151071
DR35176.4	For 120 x 200 mm enclosures	35 x 186	10	6418677151057
DR35215.4	For 160 x 240 mm enclosures	35 x 225	10	6418677156120
DR35275.4	For 230 x 300 mm enclosures	35 x 285	10	6418677151101



DMP0808



Hinge pair, DSH1.

Other accessories

Product code	Description	Dimensions (mm)	Package size (pcs)	GTIN-13
DSH1	Hinge pair	28 x 28	1	6418677156144
DFL1	Fastening lug, set of 4	33 x 21 x 9.5	1	6418677151125
DCP1	Cover plug		50	6418677151149
DLS1	Cover screw, short	3 x 18/10	100	6418677151163
DLSA1.02	Screw set, 2 short cover screws DLS1 and 2 mounting screws DMS1 and cover plugs DCP1	3 x 18/10	1	6438100070113
DLSA1.04	Screw set, 4 short cover screws DLS1 and 4 mounting screws DMS1 and cover plugs DCP1	3 x 18/10	1	6418677151293
DLSA1.06	Screw set, 6 short cover screws DLS1 and 4 mounting screws DMS1 and cover plugs DCP1	3 x 50/10	1	6418677151309
DLS2	Cover screw, long, for 162412 and 233011	3 x 50/10	1	6418677151279
DLSA2.06	Screw set, 6 long cover screws DLS2 and 4 mounting screws DMS1	3 x 50/10	1	6438100087692
DLS3	Cover screw, TORX TX20	3 x 18/10	48	6418677151286
DMS1	Mounting screw	3 x 7	100	6418677151156



Fastening lug set, DFL1.

Ensto Cubo O, C and W enclosures, IP66 and 67

Sizes 200 x 200 x 132 to 400 x 600 x 187 mm



Ensto Cubo O, C and W enclosure in brief:

- Ensto Cubo O has plain sides or with metric knockouts
- Ensto Cubo C has flange knockouts
- Ensto Cubo W has pre-assembled hinges and quick release latches as standard, available with plain sides
- Available in 8 base sizes, one base depth and one cover height
- Ensto Cubo O and C have 55-millimeter-deep extension frame available for alternative depths in all sizes. Several extension frames can be used on top of one another in one enclosure.
- Cover and cover screws equipped with sealing holes
- Cover can also be mounted onto the back of the base
- Wide range of accessories available.

Contents of the product package:

132-millimeter-deep standard enclosure includes:

- Enclosure base
- Cover
- Cover screws or latches and hinges
- Mounting screws

187-millimeter-deep standard enclosure includes:

- Enclosure base
- Cover
- Extension frame
- Cover screws or latches and hinges
- Mounting screws
- Screws for the extension frame

Further information

- Common enclosure accessories, page 34-37
- Product cards, dimensional drawings and 3D models can be found at ensto.com.



Adjustable elevators are available for the base corner slots allowing the mounting of plates and panels at any height.

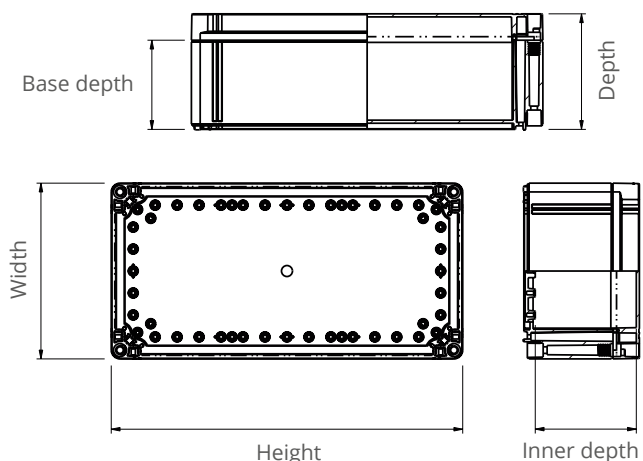


It is possible to mount the cover onto the back of the base.

Conformity	
PC enclosures:	CE
Technical information	
Degree of protection:	IP66 and IP67
Impact resistance:	PC: IK08 (-25 °C... +35 °C)
Operating temperature:	PC: -40 °C ... +80 °C
Short term temperature range:	PC: -40 °C... +120 °C
Flammability rating:	PC: UL 746C 5 inch flame
UL File no:	E189312
UL category:	NITW, NITW7
Environmental type (UL):	4, 4X, 12, 13
Outdoor suitability:	PC: UL 746C f1 rated material
Insulation:	Class II
Material	
Base:	Fibreglass reinforced polycarbonate
Cover:	Polycarbonate
Cover screws:	Fibreglass reinforced polyamide
Gasket:	PUR (polyurethane)
Enclosure side types	
PC enclosures:	Plain sides, metric knockouts
Standard color	
Base:	Grey RAL 7035
Cover:	Grey RAL 7035 or transparent

Dimensions

You can find the following dimensions on the product tables. More information, product cards, dimensional drawings and 3D models can be found at ensto.com.



Ensto Cubo D enclosures with plain sides

Width (mm)	Height (mm)	Depth (mm)	Base depth (mm)	Inner depth (mm)	Polycarbonate grey cover (product code, GTIN-13)	Polycarbonate transparent cover (product code, GTIN-13)	UL-listed polycarbonate grey cover (product code, GTIN-13)	UL-listed polycarbonate transparent cover (product code, GTIN-13)
200	200	132	102	115.0	OPCP202013G 6418677184413	OPCP202013T 6418677184345	OPCP202013G.U 6438100116873	OPCP202013T.U 6438100117016
		187	102 + 55*	170.0	OPCP202018G 6418677184628	OPCP202018T 6418677184697	OPCP202018G.U 6438100116941	OPCP202018T.U 6438100117085
	300	132	102	115.0	OPCP203013G 6418677184420	OPCP203013T 6418677184352	OPCP203013G.U 6438100117880	OPCP203013T.U 6438100117023
		187	102 + 55*	170.0	OPCP203018G 6418677184635	OPCP203018T 6418677184703	OPCP203018G.U 6438100116958	OPCP203018T.U 6438100117092
	400	132	102	115.0	OPCP204013G 6418677184437	OPCP204013T 6418677184369	OPCP204013G.U 6438100116897	OPCP204013T.U 6438100117030
		187	102 + 55*	170.0	OPCP204018G 6418677184642	OPCP204018T 6418677184710	OPCP204018G.U 6438100116965	OPCP204018T.U 6438100117108
300	300	132	102	115.0	OPCP303013G 6418677184444	OPCP303013T 6418677184376	OPCP303013G.U 6438100116903	OPCP303013T.U 6438100117047
		187	102 + 55*	170.0	OPCP303018G 6418677184659	OPCP303018T 6418677184727	OPCP303018G.U 6438100116972	OPCP303018T.U 6438100117115
	400	132	102	115.0	OPCP304013G 6418677184451	OPCP304013T 6418677184383	OPCP304013G.U 6438100116910	OPCP304013T.U 6438100117054
		187	102 + 55*	170.0	OPCP304018G 6418677184666	OPCP304018T 6418677184734	OPCP304018G.U 6438100116989	OPCP304018T.U 6438100117122
	600	132	102	115.0	OPCP306013G 6418677184468	OPCP306013T 6418677184390	OPCP306013G.U 6438100116927	OPCP306013T.U 6438100117061
		187	102 + 55*	170.0	OPCP306018G 6418677184673	OPCP306018T 6418677184741	OPCP306018G.U 6438100116996	OPCP306018T.U 6438100117139
400	400	132	102	115.0	OPCP404013G 6438100112813	OPCP404013T 6438100112790	OPCP404013G.U 6438100117986	OPCP404013T.U 6438100117962
		187	102 + 55*	170.0	OPCP404018G 6438100112820	OPCP404018T 6438100112806	OPCP404018G.U 6438100117955	OPCP404018T.U 6438100117979
	600	132	102	115.0	OPCP406013G 6418677184475	OPCP406013T 6418677184406	OPCP406013G.U 6438100116934	OPCP406013T.U 6438100117078
		187	102 + 55*	170.0	OPCP406018G 6418677184680	OPCP406018T 6418677184758	OPCP406018G.U 6438100117009	OPCP406018T.U 6438100117146

* includes the extension frame



OPCP202013G



OPCP304013T

Ensto Cubo O enclosures with metric knock-outs

Width (mm)	Height (mm)	Depth (mm)	Base depth (mm)	Inner depth (mm)	Polycarbonate grey cover (product code, GTIN-13)	Polycarbonate transparent cover (product code, GTIN-13)	UL-listed polycarbonate grey cover (product code, GTIN-13)	UL-listed polycarbonate transparent cover (product code, GTIN-13)
300	300	132	115	115.0	OPCM303013G ⁽¹⁾ 6418677157899	OPCM303013T ⁽¹⁾ 6418677157929	OPCP202013G.U ⁽¹⁾ 6438100116873	OPCP202013T.U ⁽¹⁾ 6438100117016
		187	115 + 55*	170.0	OPCM303018G ⁽²⁾ 6418677157950	OPCM303018T ⁽²⁾ 6418677157981	OPCP202018G.U ⁽²⁾ 6438100116941	OPCP202018T.U ⁽²⁾ 6438100117085
	400	132	115	115.0	OPCM304013G ⁽³⁾ 6418677157905	OPCM304013T ⁽³⁾ 6418677157936	OPCP203013G.U ⁽³⁾ 6438100117880	OPCP203013T.U ⁽³⁾ 6438100117023
		187	115 + 55*	170.0	OPCM304018G ⁽⁴⁾ 6418677157967	OPCM304018T ⁽⁴⁾ 6418677157998	OPCP203018G.U ⁽⁴⁾ 6438100116958	OPCP203018T.U ⁽⁴⁾ 6438100117092
	600	132	115	115.0	OPCM306013G ⁽³⁾ 6418677157912	OPCM306013T ⁽³⁾ 6418677157943	OPCP204013G.U ⁽³⁾ 6438100116897	OPCP204013T.U ⁽³⁾ 6438100117030
		187	115 + 55*	170.0	OPCM306018G ⁽⁴⁾ 6418677157974	OPCM306018T ⁽⁴⁾ 6418677158001	OPCP204018G.U ⁽⁴⁾ 6438100116965	OPCP204018T.U ⁽⁴⁾ 6438100117108

* includes the extension frame

¹⁾ 12 x M20 + 1 x M16/25 + 8 x M20 + 4 x M25/40 knockouts

²⁾ 12 x M20 + 1 x M16/25 + 8 x M20 + 4 x M25/40 knockouts, Includes extension frame

³⁾ 8 x M12/20 + 5 x M16/25 + 12 x M12/20 + 1 x M32/40 knockouts

⁴⁾ 8 x M12/20 + 5 x M16/25 + 12 x M12/20 + 1 x M32/40 knockouts, Includes extension frame



OPCM304018G



OPCM306018T

Ensto Cubo C enclosures with flange knockouts, polycarbonate

Width (mm)	Height (mm)	Depth (mm)	Base depth (mm)	Inner depth (mm)	Polycarbonate grey cover (product code, GTIN-13)	Polycarbonate transparent cover (product code, GTIN-13)
200	200	132	102	115.0	CPCF202013G ⁽¹⁾ 6418677172120	CPCF202013T ⁽¹⁾ 6418677172199
		187	102 + 55*	170.0	CPCF202018G ⁽¹⁾ 6418677182167	CPCF202018T ⁽¹⁾ 6418677182235
	300	132	102	115.0	CPCF203013G ⁽²⁾ 6418677172137	CPCF203013T ⁽²⁾ 6418677172205
		187	102 + 55*	170.0	CPCF203018G ⁽²⁾ 6418677182174	CPCF203018T ⁽²⁾ 6418677182242
	400	132	102	115.0	CPCF204013G ⁽²⁾ 6418677172144	CPCF204013T ⁽²⁾ 6418677172212
		187	102 + 55*	170.0	CPCF204018G ⁽²⁾ 6418677182181	CPCF204018T ⁽²⁾ 6418677182259
300	300	132	102	115.0	CPCF303013G ⁽³⁾ 6418677172151	CPCF303013T ⁽³⁾ 6418677172229
		187	102 + 55*	170.0	CPCF303018G ⁽³⁾ 6418677182198	CPCF303018T ⁽³⁾ 6418677182266
	400	132	102	115.0	CPCF304013G ⁽³⁾ 6418677172168	CPCF304013T ⁽³⁾ 6418677172236
		187	102 + 55*	170.0	CPCF304018G ⁽³⁾ 6418677182204	CPCF304018T ⁽³⁾ 6418677182273
	600	132	102	115.0	CPCF306013G ⁽⁴⁾ 6418677172175	CPCF306013T ⁽⁴⁾ 6418677172243
		187	102 + 55*	170.0	CPCF306018G ⁽⁴⁾ 6418677182211	CPCF306018T ⁽⁴⁾ 6418677182280
400	400	132	102	115.0	CPCF404013G ⁽³⁾ 6438100112899	CPCF404013T ⁽³⁾ 6438100112875
		187	102 + 55*	170.0	CPCF404018G ⁽³⁾ 6438100112905	CPCF404018T ⁽³⁾ 6438100112882
	600	132	102	115.0	CPCF406013G ⁽⁴⁾ 6418677172182	CPCF406013T ⁽⁴⁾ 6418677172250
		187	102 + 55*	170.0	CPCF406018G ⁽⁴⁾ 6418677182228	CPCF406018T ⁽⁴⁾ 6418677182297



CPCF202013G



CPCF203018T

¹⁾ Includes the extension frame
¹⁾ 4 x F1 knockouts
²⁾ 2 x F1 knockouts + 2 x F2 knockouts

³⁾ 4 x F2 knockouts
⁴⁾ 6 x F2 knockouts

Ensto Cubo W wall cabinets with hinges and latches, plain sides, polycarbonate

Width (mm)	Height (mm)	Depth (mm)	Base depth (mm)	Inner depth (mm)	Polycarbonate grey cover (product code, GTIN-13)	Polycarbonate transparent cover (product code, GTIN-13)
200	200	132	102	115.0	WPCP202013G 6418677174308	WPCP202013T 6418677174384
		187	102 + 55*	170.0	WPCP202018G 6418677174469	WPCP202018T 6418677174544
	300	132	102	115.0	WPCP203013G 6418677174315	WPCP203013T 6418677174391
		187	102 + 55*	170.0	WPCP203018G 6418677174476	WPCP203018T 6418677174551
	400	132	102	115.0	WPCP204013G 6418677174322	WPCP204013T 6418677174407
		187	102 + 55*	170.0	WPCP204018G 6418677174483	WPCP204018T 6418677174568
300	300	132	102	115.0	WPCP303013G 6418677174339	WPCP303013T 6418677174414
		187	102 + 55*	170.0	WPCP303018G 6418677174490	WPCP303018T 6418677174575
	400	132	102 + 55*	115.0	WPCP304013G 6418677174346	WPCP304013T 6418677174421
		187	102 + 55*	170.0	WPCP304018G 6418677174506	WPCP304018T 6418677174582
	600	132	102 + 55	115.0	WPCP306013G 6418677174353	WPCP306013T 6418677174438
		187	102 + 55*	170.0	WPCP306018G 6418677174513	WPCP306018T 6418677174599
400	400	132	102 + 55	115.0	WPCP404013G 6438100113285	WPCP404013T 6438100113292
		187	102 + 55*	170.0	WPCP404018G 6438100113308	WPCP404018T 6438100113315
	600	132	102 + 55	115.0	WPCP406013G 6418677174377	WPCP406013T 6418677174452
		187	102 + 55*	170.0	WPCP406018G 6418677174537	WPCP406018T 6418677174612



WPCP202013G



WPCP406018T

^{*)} Includes the extension frame

Accessories for Ensto Cubo O, C enclosures

Bases

Includes mounting screws

Width (mm)	Height (mm)	Depth (mm)	Polycarbonate plain sides (product code, GTIN-13)	Polycarbonate Metric knockouts (product code, GTIN-13)	Polycarbonate Flange knockouts (product code, GTIN-13)
200	200	102	OPCP202010B 6418677164248		CPCF202010B ¹⁴ 6418677171697
	300	102	OPCP203010B 6418677164255		CPCF203010B ¹⁵ 6418677171703
	400	102	OPCP204010B 6418677164262		CPCF204010B ¹⁵ 6418677171710
300	300	102	OPCP303010B 6418677164279	OPCM303010B ¹¹ 6418677182600	CPCF303010B ¹⁶ 6418677171727
	400	102	OPCP304010B 6418677164286	OPCM304010B ¹² 6418677182617	CPCF304010B ¹⁶ 6418677171734
	600	102	OPCP306010B 6418677164293	OPCM306010B ¹³ 6418677182624	CPCF306010B ¹⁷ 6418677171741
400	400	102	OPCP404010B 6438100112943		CPCF404010B ¹⁶ 6438100112929
	600	102	OPCP406010B 6418677164309		CPCF406010B ¹⁷ 6418677171758

¹¹ 12 x M20 + 1 x M16/25 + 8 x M20 + 4 x M25/40

¹² 8 x M12/20 + 5 x M16/25 + 12 x M12/20 + 1 x M32/40

¹³ 8 x M12/20 + 5 x M16/25 + 12 x M12/20 + 1 x M32/40

¹⁴ 4 x F1 knockout,

¹⁵ 2 x F1 knockout + 2 x F2 knockout

¹⁶ 4 x F2 knockout,

¹⁷ 6 x F2 knockout



OPCM303010B



CPCF304010B

Extension frames, polycarbonate

Width (mm)	Height (mm)	Depth (mm)	Polycarbonate grey cover (product code, GTIN-13)
200	200	55	OPCP202006E 6418677164606
	300	55	OPCP203006E 6418677164613
	400	55	OPCP204006E 6418677164620
300	300	55	OPCP303006E 6418677164637
	400	55	OPCP304006E 6418677164644
	600	55	OPCP306006E 6418677164651
400	400	55	OPCP404006E 6438100112912
	600	55	OPCP406006E 6418677164668



OPCP303006E



OPCG303003L

Covers

Width (mm)	Height (mm)	Depth (mm)	Polycarbonate grey cover (product code, GTIN-13)	Polycarbonate transparent cover (product code, GTIN-13)	Grey cover with window for kWh-meter, polycarbonate (Product code, GTIN-13)
200	200	102	OPCG202003L ¹ 6418677164453	OPCT202003L ¹ 6418677164385	
	300	102	OPCG203003L ¹ 6418677164460	OPCT203003L ¹ 6418677164392	
	400	102	OPCG204003L ¹ 6418677164477	OPCT204003L ¹ 6418677164408	
300	300	102	OPCG303003L ¹ 6418677164484	OPCT303003L ¹ 6418677164415	
	400	102	OPCG304003L ¹ 6418677164491	OPCT304003L ¹ 6418677164422	
	600	102	OPCG306003L ¹ 6418677164507	OPCT306003L ¹ 6418677164439	
400	400	102	OPCG404003L ¹ 6438100112967	OPCT404003L ¹ 6438100112974	
	600	102	OPCG406003L ¹ 6418677164514	OPCT406003L ¹ 6418677164446	OPCG36KWH ² 6418677174186

¹ Includes gasket

² Inspection window 113 x 153 mm, Includes cover screws



OPCT303003L



OPCG36KWH

Accessories for Ensto Cubo O, C enclosures

Mounting plates and DIN rails

Product code	Description	Dimensions (mm)	Package size (pcs)	GTIN-13
Mounting plates, galvanized steel				
OMP2020	For 200 x 200 mm enclosures	160 x 160 x 1.5	1	6418677164675
OMP2030	For 200 x 300 mm enclosures	160 x 260 x 1.5	1	6418677164682
OMP2040	For 200 x 400 mm enclosures	160 x 360 x 1.5	1	6418677164699
OMP3030	For 300 x 300 mm enclosures	260 x 260 x 1.5	1	6418677164705
OMP3040	For 300 x 400 mm enclosures	260 x 360 x 1.5	1	6418677164712
OMP3060	For 300 x 600 mm enclosures	260 x 560 x 1.5	1	6418677164729
OMP4040	For 400 x 400 mm enclosures	360 x 360 x 1.5	1	6438100112370
OMP4060	For 400 x 600 mm enclosures	360 x 560 x 1.5	1	6418677164736
Mounting plates for kWh meter, galvanized steel				
KWHP3040	For 300 x 400 mm enclosures	260 x 360 x 1.5	1	6418677173110
KWHP3060	For 300 x 600 mm enclosures	260 x 560 x 1.5	1	6418677173097
KWHP4040	For 400 x 400 mm enclosures	360 x 360 x 1.5	1	6438100112394
KWHP4060	For 400 x 600 mm enclosures	360 x 560 x 1.5	1	6418677173127
DIN rails, DIN 46277/3, galvanized steel				
DR35150.5	For 200 mm side	35 x 160	1	6418677164743
DR35240.5	For 600 mm side/middle with front panel	35 x 250	1	6418677176647
DR35250.5	For 300 mm side	35 x 260	1	6418677164750
DR35340.5	For 600 mm side/middle with front panel	35 x 350	1	6418677176654
DR35350.5	For 400 mm side	35 x 360	1	6418677164767



OMP3040



KWHP3040

Profiles for DIN rails, galvanized steel

	Product code	Description	Dimensions (mm)	Package size (pcs)	GTIN-13
Height 14,5 mm	PRE2.14	Pair, for 200 mm side	115 x 14 x 14	1	6418677173172
	PRE3.14	Pair, for 300 mm side	215 x 14 x 14	1	6418677173134
	PRE4.14	Pair, for 400 mm side	315 x 14 x 14	1	6418677173141
	PRE75.14	Pair, for 600 mm side or center	75 x 14 x 14	1	6418677173158
Height 32,5 mm	PRE2.32	Pair, for 200 mm side	115 x 14 x 32	1	6418677173189
	PRE3.32	Pair, for 300 mm side	215 x 14 x 32	1	6418677172687
	PRE4.32	Pair, for 400 mm side	315 x 14 x 32	1	6418677172694
	PRE75.32	Pair, for 600 mm side or center	75 x 14 x 32	1	6418677173165



PRE2.14

Busbar support sets, 630 A

Product code	Description	Dimensions (mm)	Package size (pcs)	GTIN-13
KGH1.10	Support set for bars 10 mm x 10, 12, 20 or 30 mm	266 x 78 x 18	1	6418677172373
KGH1.05	Support set for bars 5 mm x 10, 12, 15 or 20 mm	266 x 78 x 18	1	6418677172380



KGH1.10

Accessories for Ensto Cubo O, C enclosures

Terminals for Al/Cu busbars

Product code	Description	Dimensions (mm)	Package size (pcs)	GTIN-13
KG81	Terminal for 25-70 mm ² cable	10 mm Al/Cu	1	6418677163739
KG83	Terminal for 16-185 mm ² cable	10 mm Al/Cu	1	6418677163746
KG85	Terminal for 2 x 35 mm ² + 2 x 16 mm ² cables	10 mm Al/Cu	1	6418677163753
KG87	Terminal for 4 x 35 mm ² + 4 x 16 mm ² cables	10 mm Al/Cu	1	6418677163760
KG80	Terminal for 25-70 mm ² cable	5 mm Al/Cu	1	6418677163852
KG82	Terminal for 6-70 mm ² cable	5 mm Al/Cu	1	6418677163869
KG84	Terminal for 3 x 16 mm ² cables	5 mm Al/Cu	1	6418677163876
KG86	Terminal for 6 x 16 mm ² cables	5 mm Al/Cu	1	6418677163883



KG85

Strain reliefs

Product code	Description	Dimensions (mm)	Package size (pcs)	GTIN-13
KJ8.13	300 mm side/for 1 cable, galvanized steel	265 x 65 x 85	1	6418677172755
KJ8.23	300 mm side/for 2 cables, galvanized steel	265 x 65 x 85	1	6418677173271
KJ8.14	400 mm side/for 1 cable, galvanized steel	365 x 65 x 85	1	6418677173288
KJ8.24	400 mm side/for 2 cables, galvanized steel	365 x 65 x 85	1	6418677173295



KJ8.13

Accessories for Ensto Cubo O, C, W enclosures

Cover screws for Ensto Cubo O, C enclosures

Product code	Description	Dimensions (mm)	Package size (pcs)	GTIN-13
OLS42	Slotted/cross head, sealable	14 x 42	1	6418677164590
OLSA42.4	Screw set, 4 slotted/cross head cover screws OLS42	14 x 42	1	6418677174704
OLSA42.6	Screw set, 6 slotted/cross head cover screws OLS42	14 x 42	1	6418677174711
OLSA42.04	Screw set, 4 slotted/cross head cover screws OLS42 and 4 mounting screws OMS1	14 x 42	1	6418677172267
OLSA42.06	Screw set, 6 slotted/cross head cover screws OLS42 and 8 mounting screws OMS1	14 x 42	1	6418677172274
OLS42N	Slotted/cross head, dark grey Noryl	14 x 42	1	6418677174728
OLS32	Slotted/cross head for 600 mm modular cover	14 x 32	1	6418677174360
PLS63	Springloaded, slotted/cross head	14 x 62	1	6418677173073
OLSH1	Hinged cover screw, slotted/cross head, blue, polyamide	14 x 96	1	6418677174247
OLWH1	Hinged cover screw, wing head, blue, polyamide	14 x 113	1	6418677174254
OLW55	Wing head	14 x 55	1	6418677171765
OLWA55.4	Screw set, 4 wing head cover screws OLW55	14 x 55	1	6418677174735
OLWA55.6	Screw set, 6 wing head cover screws OLW55	14 x 55	1	6418677174742
OLWA55.04	Screw set, 4 wing head cover screws OLW55 and 4 mounting screws OMS1	14 x 55	1	6418677172281
OLWA55.06	Screw set, 6 wing head cover screws OLW55 and 8 mounting screws OMS1	14 x 55	1	6418677174759
OLT42	DIN 3 head	14 x 42	1	6418677171772
OLTA42.4	Screw set, 4 DIN 3 head cover screws OLT42	14 x 42	1	6418677174766
OLTA42.6	Screw set, 6 DIN 3 head cover screws OLT42	14 x 42	1	6418677174773
OLTA42.04	Screw set, 4 DIN 3 head cover screws OLT42 and 4 mounting screws OMS1	14 x 42	1	6418677172298
OLTA42.06	Screw set, 6 DIN 3 head cover screws OLT42 and 8 mounting screws OMS1	14 x 42	1	6418677174780
OLTA42.041	Screw set, 4 DIN 3 head cover screws OLT42 and 4 mounting screws OMS1 + key OLT42KEY	14 x 42	1	6418677174797
OLT42KEY	Key for DIN head screw OLT42	50 x 53 x ø22	1	6418677172410



Cover screw, slotted/cross head, OLS42.



Cover screw, springloaded, slotted/cross head, PLS63.



Cover screw, wing head, OLW55.



Hinged cover screw, OLSH1.

Accessories for Ensto Cubo O, C, W enclosures

Other accessories

Product code	Description	Dimensions (mm)	Package size (pcs)	GTIN-13
OCS22.46	Customizing template, transparent	300 x 400 x 6	1	6418677184338
OES1	Extension frame screw	∅ 17 x 67	1	6418677174803
OESA1.04	Extension frame screws, set of 4 pcs	∅17 x 67	1	6438100081409
OESA1.06	Extension frame screws, set of 6 pcs	∅17 x 67	1	6438100081416
OHI1	Hinge pair, Includes mounting instruction	40 x 50 x 16.5	1	6418677164774
OHICP1	Hinge pair, Includes 2 cover plugs	40 x 50 x 16.5	1	6418677172304
OFL1	Fastening lug, set of 4 pcs	19 x 40 x 35.5	1	6418677164781
OEL1	Corner elevator, Includes M5 bolt	19 x 19 x 14	1	6418677164798
OELA1.04	Corner elevator, set of 4 OEL1	19 x 19 x 14	1	6418677181696
OPHFPA1.04	Hinge set for swing panel	-		6438100200817
OTS1	Threaded bushing, for cover screw when cover mounted on the back	18/30 ∅ 16	1	6418677171789
OTSA1.04	Threaded bushing, 4 x OTS1 + 4 x OLS42	17 x 30/18	1	6418677181702
OMS1	Mounting screw, for rails and plates	5 x 10	1	6418677164804
OBI1	Brass insert, for mounting pod	M3	1	6418677172328
OBI1.04	Brass insert, set of 4 OBI1	M3	1	6418677172335
OCP1	Cover plug, polyethylene	11 x ∅ 15/17	1	6418677164811
OBS15	15 mm spacer, Includes M5 screw, steel	15 x 8	1	6418677171802
OBS15.04	15 mm spacer, set of 4 pcs	15 x 8	1	6418677172342
OBS20	20 mm spacer, Includes M5 screw, steel	20 x 8	1	6418677171819
OBS20.04	20 mm spacer, set of 4 pcs	20 x 8	1	6418677172359
OBS30	30 mm spacer, Includes M5 screw, steel	30 x 8	1	6418677171826
OBS30.04	30 mm spacer, set of 4 pcs	30 x 8	1	6418677172366
WQL1.1	Latch, pair, Includes hooks and counter parts	-	1	6418677174902



Hinge pair, OHI1.



Fastening lug set, OFL1.



Corner elevator, OEL1.



Latch, pair, WQL1.1.

Front panels

Product code, GTIN-13	Description	Dimensions (mm)	Package size (pcs)	
Front panels, closed, incl. corner elevators				
Polypropylene				
Aluminium				
OFP22 6418677182754	OFP22A 6418677182983	For 200 x 200 mm enclosure	186 x 186 x 2	1
OFP23 6418677182761	OFP23A 6418677182990	For 200 x 300 mm enclosure	186 x 286 x 2	1
OFP24 6418677182778	OFP24A 6418677183003	For 200 x 400 mm enclosure	186 x 386 x 2	1
OFP33 6418677182785	OFP33A 6418677183010	For 300 x 300 mm enclosure	286 x 286 x 2	1
OFP34 6418677182792	OFP34A 6418677183027	For 300 x 400 mm enclosure	286 x 386 x 2	1
OFP36 6418677182808	OFP36A 6418677183034	For 300 x 600 mm enclosure	286 x 586 x 2	1
OFP46 6418677182815	OFP46A 6418677183041	For 400 x 600 mm enclosure	386 x 586 x 2	1



OFP22



Accessories for Ensto Cubo O, C, W enclosures

Front panels

Product code, GTIN-13	Description	Dimensions (mm)	Package size (pcs)	
Hinged front panels, incl. corner elevator				
Polypropylene	Aluminium			
OHFP22 6418677183058	OHFP22A 6418677183171	For 200 x 200 mm enclosure, hinged side 200 mm	186 x 166 x 2	1
OHFP23 6418677183065	OHFP23A 6418677183188	For 200 x 300 mm enclosure, hinged side 200 mm	186 x 286 x 2	1
OHFP32 6418677183072	OHFP32A 6418677183195	For 200 x 300 mm enclosure, hinged side 300 mm	186 x 286 x 2	1
OHFP24 6418677183089	OHFP24A 6418677183201	For 200 x 400 mm enclosure, hinged side 200 mm	186 x 386 x 2	1
OHFP42 6418677183096	OHFP42A 6418677183218	For 200 x 400 mm enclosure, hinged side 400 mm	186 x 386 x 2	1
OHFP33 6418677183102	OHFP33A 6418677183225	For 300 x 300 mm enclosure, hinged side 300 mm	286 x 286 x 2	1
OHFP34 6418677183119	OHFP34A 6418677183232	For 300 x 400 mm enclosure, hinged side 300 mm	286 x 386 x 2	1
OHFP43 6418677183126	OHFP43A 6418677183249	For 300 x 400 mm enclosure, hinged side 400 mm	286 x 386 x 2	1
OHFP36 6418677183133	OHFP36A 6418677183256	For 300 x 600 mm enclosure, hinged side 300 mm	286 x 586 x 2	1
OHFP63 6418677183140	OHFP63A 6418677183263	For 300 x 600 mm enclosure, hinged side 600 mm	286 x 586 x 2	1
OHFP46 6418677183157	OHFP46A 6418677183270	For 400 x 600 mm enclosure, hinged side 400 mm	386 x 586 x 2	1
OHFP64 6418677183164	OHFP64A 6418677183287	For 400 x 600 mm enclosure, hinged side 600 mm	386 x 586 x 2	1
DIY parts for plates				
OPHFPA1.04 6438100200817		Hinge set for swing panel DIY *	-	1
OELA1.04 6418677181696		Elevator set for panel DIY *	19/19 x 14	1



OHFP22



OPHFPA1.04

* DIY for customers providing own panels, ask panel drawing from Ensto

N and PE rails

Product code	Description	Dimensions (mm)	Package size (pcs)	GTIN-13
KN15.315	For 300 mm side, N + PE, Cu 2 x (2 x 16 / 13 x 6 mm ²)	250	1	6418677153020
KN16.330	For 300 mm side, N, Cu 4 x 16 / 26 x 6 mm ²	250	1	6418677153037
KN17.332	For 300 mm side, PE, Cu 4 x 16 / 28 x 6 mm ²	250	1	6418677153044
KN15.423	For 400 mm side, N + PE, Cu 2 x (2 x 16 / 21 x 6 mm ²)	350	1	6418677153051
KN16.436	For 400 mm side, N, Cu 4 x 16 / 32 x 6 mm ²	350	1	6418677153068
KN17.436	For 400 mm side, PE, Cu 4 x 16 / 32 x 6 mm ²	350	1	6418677153075

Flanges and accessories for Ensto Cubo C enclosures, page 35



Cable spreader for 1 cable,
F2CE.1.



50 mm extension frame for F2
flange, F2C50E.



Knockout flange, F2 size, F2252



Flange bolt set, F2 size, polyamide,
F2PA30.

Ensto Modulo distribution enclosures

IP65

Sizes 166 x 231 x 113 to 418 x 586 x 148 mm



Ensto Modulo enclosure in brief:

- Available in 9 sizes, capacity for 4 to 54 modules
- Factory installed DIN-rails, earth and neutral bars
- Factory made metric knockouts from M20 to M40
- Removable DIN-rail chassis for models with two or more rows
- Sealed screws at four points for easy installation

Contents of the product package:

- Enclosure base
- Cover with hinged window
- Cover screws
- Pre-mounted DIN rails
- Pre-mounted N/PE busbars
- Cover plate
- Marker

Further information

- Common enclosure accessories, page 34-37
- Product cards, dimensional drawings and 3D models can be found at ensto.com.



Earth and Neutral bars at double height, section 12 x 6.5 mm are factory installed.



Window is hinged. This means that the opening direction can be changed quickly and safely.



Joining enclosures is easy. A channel for wiring is possible with a joining kit for mounting enclosures horizontally (MODB25M) or vertically (MODB40M).



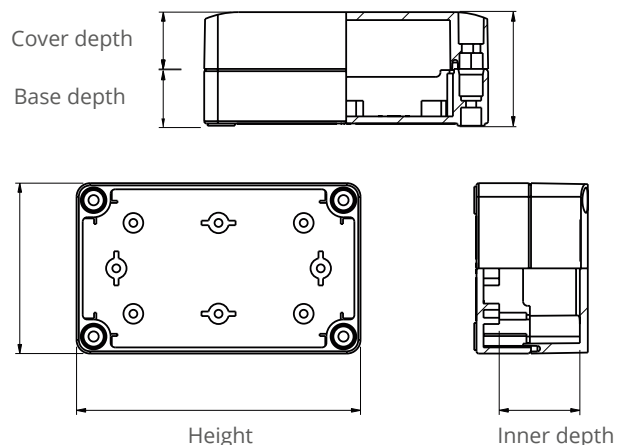
DIN-rails can be installed into two height positions. Fixing requires only one screw.

Conformity	
ABS enclosures:	CE
Technical information	
Degree of protection:	IP65
Impact resistance: (-25 °C ... +40 °C)	IK08 (5 J)
Auto-extinguishing degree:	UL 94 HB
Insulation:	Class II
Glow wire test:	650 °C
Service temperature: (empty boxes)	-25 ... +70 °C
Maximum voltage: (empty boxes)	1000 V AC / 1500 V DC
Earth and Neutral bars:	500 V / 125A
Body	
Material:	ABS
UV resistance: (ISO 4892-2 meth. A)	500 hour
Color:	Grey, RAL 7035
Window	
Material:	Polycarbonate
UV resistance: (ISO4892-2 meth. A)	1000 hour
Color:	Transparent, smoke grey

For outdoor use an enclosure of polycarbonate is highly recommended, available on request.

Dimensions

You can find the following dimensions on the product tables. More information, product cards, dimensional drawings and 3D models can be found at ensto.com.



Ensto Modulo distribution enclosures, ABS

Product code	Description	Dimensions (mm)			Weight (kg)	Package size (pcs)	GTIN-13
		Width	Height	Depth			
MODAB41PN	Distribution enclosure 4 modules	166	231	113	0.722	1	6438100196226
MODAB61PN	Distribution enclosure 6 modules	202	231	113	0.762	1	6438100196233
MODAB81PN	Distribution enclosure 8 modules	238	231	118	0.929	1	6438100196240
MODAB121PN	Distribution enclosure 12 modules	310	246	148	1.415	1	6438100196257
MODAB181PN	Distribution enclosure 18 modules	418	286	148	1.879	1	6438100196264
MODAB242PN	Distribution enclosure 24 modules	310	436	148	2.357	1	6438100196271
MODAB362PN	Distribution enclosure 36 modules	418	436	148	2.918	1	6438100196288
MODAB363PN	Distribution enclosure 36 modules	310	586	148	3.098	1	6438100196295
MODAB543PN	Distribution enclosure 54 modules	418	586	148	3.949	1	6438100196301



MODAB41PN



MODAB121PN



MODAB242PN



MODAB543PN

Accessories

Product code	Description	Weight (kg)	Package size (pcs)	GTIN-13
MODHI2	Base frame inner hinge	0.005	10	6438100197094
MODKL2	Lock triangle 2 units with key	0.018	1	6438100197100
MODKL3	Security key lock	0.038	1	6438100197117
MODB25M	Bushing joining enclosures 25M	0.017	1	6438100197124
MODB40M	Bushing joining enclosures 40M	0.025	1	6438100197131
MODKL1	Standard lock	0.012	10	6438100197148
MODHI1	Hinge, spare part	0.002	12	6438100197155

Spare parts

Product code	Description	Dimensions (mm)			Weight (kg)	Package size (pcs)	GTIN-13
		Width	Height	Depth			
MODD041	Transparent door 4 modules	170	150	30	0.092	1	6438100197759
MODD061	Transparent door 6 modules	200	150	30	0.115	1	6438100197766
MODD081	Transparent door 8 modules	240	150	30	0.129	1	6438100197773
MODD121	Transparent door 12 modules	310	170	30	0.202	1	6438100197780
MODD181	Transparent door 18 modules	420	170	30	0.249	1	6438100197797
MODD242	Transparent door 24 mod 2r	310	320	30	0.375	1	6438100197803
MODD362	Transparent door 36 mod 2r	420	320	30	0.526	1	6438100197810
MODD363	Transparent door 36 mod 3r	310	470	30	0.556	1	6438100197827
MODD543	Transparent door 54 mod 3r	420	470	30	0.742	1	6438100197834



MODHI2



MODKL3



MODB25M



MODKL1

Ensto terminal junction boxes IP67

Sizes 125 x 125 x 75 to 300 x 600 x 132 mm



Ensto Cubo T enclosure in brief:

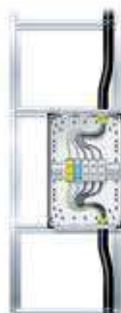
- Include everything needed for connecting wires, extending or branching cables as well as enclosing
- Available with Ensto Clampo Compact terminal blocks and Ensto Clampo Pro Universal terminals
- Include either Ensto Cubo S or C thermoplastic enclosures
- The enclosure has exactly the right dimensions in terms of the terminals and the required bending space
- Save time choosing products (all of the required items can be ordered with one ordering number only)
- Need less storage space (no separate packages)

Conformity	
CE RoHS	
Standards	
Enclosure:	EN 62208
Ensto Clampo Compact terminal:	EN 60947-7-1
Ensto Clampo Pro terminals:	EN 61238-1 for aluminium conductors, EN 60947-7-1 for copper conductors
Material	
Enclosure:	Fiberglass reinforced polycarbonate
Housing (terminals):	Polyamide
Body and screws:	Tin-coated aluminium or nickel-coated brass
Mechanical features	
Screw head:	Hexagonal or slot
Standard color	
Base and cover:	Grey RAL 7035

Item	Ensto Cubo T1	Ensto Cubo T2	Ensto Cubo T3	Ensto Cubo T4	Ensto Cubo T5
Product code	TPM131308G001	TPCF203013G002	TPCF304013G003	TPCF304013G004	TPCF306013G005
GTIN-13	6418677182372	6418677182389	6418677182396	6418677182402	6418677182419
Cross-section	Cu 12 x 6 mm ²	Al/Cu 5 x 6–35 mm ²	Al/Cu 5 x 16–95 mm ²	Al/Cu 2 x (5 x 16 – 70) mm ²	Al/Cu 2 x (5 x 35 – 150) mm ²
Package content:					
Ensto Cubo enclosure	SPCM131308G	CPCF203013G	CPCF304013G	CPCF304013G	CPCF306013G
Cover screws (pcs)	4	4	4	4	6
Cable glands incl. strain relief	2 x M16, 2 x M20, 1 x M25	-	-	-	-
Counter nuts	2 x M16, 2 x M20, 1 x M25	-	-	-	-
Cover plug	1 x M25	-	-	-	-
Membrane flanges	-	2 x F1201	2 x F2204	2 x F2204	2 x F2204
Flange bolt sets	-	2	2	2	2
Base supports	-	-	2	2	2
Fastening lugs, set	1	1	1	1	1
DIN rails/mounting plate	1 x DIN 15 rail, 13 cm	1 x DIN 35 rail, 16 cm	1 x DIN 35 rail, 26 cm	1 x DIN 35 rail, 26 cm	1 x mounting plate 30 x 40 cm
Mounting screws (pcs)	2	2	2	2	4
End holder	2	2	2	2	-
Terminals	1 x 12-pole, grey (KR8121)	1 x 3-pole, grey (KE61.03), 1 x blue (KE61.2), 1 x yellow-green (KE61.3)	3 x grey (KE62), 1 x blue (KE62.2), 1 x yellow-green (KE62.3)	3 x grey (KE67), 1 x blue (KE67.2), 1 x yellow-green (KE67.3)	3 x grey (KE68), 1 x blue (KE68.2), 1 x yellow-green (KE68.3)
Marking	1–12	L1, L2, L3	L1, L2, L3	L1, L2, L3	L1, L2, L3
Cross connectors	2 x 3-pole (KRL6067.03)	-	-	-	-



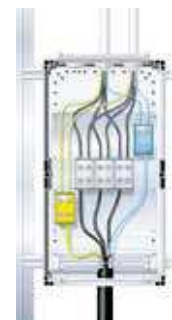
Ensto Cubo T1



Ensto Cubo T2



Ensto Cubo T3



Ensto Cubo T5



Polyester enclosures

The enclosures are made of glass-reinforced polyester and are extremely durable. They can replace stainless steel enclosures in challenging conditions. The cost-effective polyester enclosing solution used is UV-resistant, has self-extinguishing properties and is halogen-free. The cabinets can be used in various environments and application areas such as maritime, metering and control, renewable energies as well as water and waste water treatment.

BENEFITS:

- › Quick deliveries
- › Wide temperature range
- › Suitable for outdoor use

Range comparison

Ensto Cubo N wall cabinets, IP66

- › Sizes 250 x 300 x 140 to 600 x 800 x 300 mm
- › Available with plain sides or with a polycarbonate window
- › Quick fixture brackets at the back allow fitting without drilling
- › Built-in protective edge prevents entry of water when opening the door
- › Vertical patterns on the inner side of the door enables correct fitting of devices

Ensto Cubo M enclosures, IP66

- › Sizes 75 x 80 x 55 to 400 x 405 x 120 mm
- › Available with plain sides
- › Captive cover screws of stainless steel
- › Stainless steel inserts for DIN rails
- › Possible to make threaded entries for cable glands



Ensto Cubo N wall cabinets, IP66

Sizes 250 x 300 x 140 to 600 x 800 x 300 mm



Ensto Cubo N wall cabinets in brief:

- Available with plain sides or with a polycarbonate window
- The product has been tested according to standards EN 62208:2011
- Superb temperature resistance
- Sturdy construction and high resistance to corrosion and solvents
- Suitable for highly demanding environments such as waste water treatment and the petrochemical/chemical industries
- Quick fixture brackets at the back allow fitting without drilling
- Built-in protective edge allows you to open the door 180° in installations and also prevents entry of water when opening the door
- Vertical patterns on the inner side of the door enables correct fitting of devices

Contents of the product package:

- Enclosure base
- Door
- Lock and DIN 3 keys (one for each lock) (or 3-point closing with swing handle)

Further information

- Common enclosure accessories, page 34–37
- Product cards, dimensional drawings and 3D models can be found at ensto.com.

Conformity	
GRP enclosures:	CE RoHS UL cUL
Technical information	
Degree of protection:	IP66
Impact resistance:	IK10, IK08 +25 °C, window
Operating temperature:	-40 °C... 80 °C
Short term temperature range:	-50 °C... 140 °C
Glow wire test:	960 °C
Flammability rating:	UL 746C (5 inch flame)
UL File no:	E189312
UL category:	NITW, NITW7
Insulation:	Class II
Material	
Base/cover:	Fibreglass reinforced polyester
Lock:	Double bit DIN 3.0 mm
Gasket:	PUR (polyurethane)
Enclosure side types	
GRP enclosures:	Plain sides / customer-specific holes
Standard color	
Base/cover:	Grey RAL 7035

Ensto Cubo N wall cabinets

Width (mm)	Height (mm)	Depth (mm)	Polyester plain sides (product code, GTIN-13)	Polyester 3-point closing with swing handle / DIN3, plain sides (product code, GTIN-13)	Polyester polycarbonate window plain sides (product code, GTIN-13)	UL-listed, polyester plain sides (product code, GTIN-13)	UL-listed, polyester polycarbonate window plain sides (product code, GTIN-13)
250	300	140	NGRP253014 6438100123451		NGRW253014 6438100123642	NGRP253014.U 6438100133528	NGRW253014.U 6438100133597
300	400	200	NGRP304020 6438100123468	NGRP304020P3SH 6438100123581	NGRW304020 6438100123659	NGRP304020.U 6438100133535	NGRW304020.U 6438100133603
400	400	200	NGRP404020 6438100123475	NGRP404020P3SH 6438100123598	NGRW404020 6438100123666	NGRP404020.U 6438100133542	NGRW404020.U 6438100133610
	500	200	NGRP405020 6438100123482	NGRP405020P3SH 6438100123604	NGRW405020 6438100123673	NGRP405020.U 6438100133559	NGRW405020.U 6438100133627
	600	230	NGRP406023 6438100123499	NGRP406023P3SH 6438100123611	NGRW406023 6438100123680	NGRP406023.U 6438100133566	NGRW406023.U 6438100133634
500	600	230	NGRP506023 6438100123505	NGRP506023P3SH 6438100123628	NGRW506023 6438100123697	NGRP506023.U 6438100133573	NGRW506023.U 6438100133641
600	800	300	NGRP608030 6438100123512	NGRP608030P3SH 6438100123635	NGRW608030 6438100123703	NGRP608030.U 6438100133580	NGRW608030.U 6438100133658
800	600	300	NGRP806030 6438100205010	NGRP806030P3SH 6438100206772			



NGRP506023



NGRP404020P3SH



NGRW304020



NGRP806030P3SH

Front panels

Product code	Description	Dimensions (mm)	Package size (pcs)	GTIN-13
Mounting plates, GRP				
NGRMP2530	For 250 x 300 mm enclosures	213 x 268 x 4	1	6438100123833
NGRMP3040	For 300 x 400 mm enclosures	260 x 358 x 4	1	6438100123840
NGRMP4040	For 400 x 400 mm enclosures	360 x 358 x 4	1	6438100123857
NGRMP4050	For 400 x 500 mm enclosures	360 x 458 x 4	1	6438100123864
NGRMP4060	For 400 x 600 mm enclosures	360 x 558 x 4	1	6438100123871
NGRMP5060	For 500 x 600 mm enclosures	460 x 558 x 4	1	6438100123888
NGRMP6080	For 600 x 800 mm enclosures	556 x 754 x 4	1	6438100123895
Mounting plates, galvanized steel				
NMP2530	For 250 x 300 mm enclosures	207 x 268 x 2	1	6438100123970
NMP3040	For 300 x 400 mm enclosures	254 x 358 x 2	1	6438100123987
NMP4040	For 400 x 400 mm enclosures	354 x 358 x 2	1	6438100123994
NMP4050	For 400 x 500 mm enclosures	354 x 458 x 2	1	6438100124007
NMP4060	For 400 x 600 mm enclosures	354 x 558 x 2	1	6438100124014
NMP5060	For 500 x 600 mm enclosures	454 x 558 x 2	1	6438100124021
NMP6080	For 600 x 800 mm enclosures	558 x 754 x 2	1	6438100124038
DIN rails, DIN 46277/3, galvanized steel				
DR35220.6	For 250 mm sides	230 x 35	1	6438100174071
DR35270.6	For 300 mm sides	280 x 35	1	6438100174088
DR35370.6	For 400 mm sides	380 x 35	1	6438100159733
DR35470.6	For 500 mm sides	480 x 35	1	6438100174095
DR35565.6	For 600 mm sides	575 x 35	1	6438100174101



NGRMP3040



NMP5060



Chassis for modular devices, NMC4060.54. The kit includes a metal frame with DIN rails and module cover plates.

Front panels

Product code	Description	Dimensions (mm)	Package size (pcs)	GTIN-13
Mounting plates, GRP				
NMC3040.24	For 300 x 400 mm wall cabinets, 2 DIN openings for 12 modules	-	1	6438100124366
NMC4040.36	For 400 x 400 mm wall cabinets, 2 DIN openings for 18 modules	-	1	6438100124373
NMC4050.54	For 400 x 500 mm wall cabinets, 3 DIN openings for 18 modules	-	1	6438100124380
NMC4060.54	For 400 x 600 mm wall cabinets, 3 DIN openings for 18 modules	-	1	6438100124397
NMC5060.69	For 500 x 600 mm wall cabinets, 3 DIN openings for 23 modules	-	1	6438100124403
NMC6080.116	For 600 x 800 mm wall cabinets, 4 DIN openings for 29 modules	-	1	6438100124410
Internal door kit, GRP				
NID3040	For 300 x 400 mm wall cabinets	258 x 366	1	6438100124304
NID4040	For 400 x 400 mm wall cabinets	358 x 366	1	6438100124311
NID4050	For 400 x 500 mm wall cabinets	358 x 466	1	6438100124328
NID4060	For 400 x 600 mm wall cabinets	358 x 566	1	6438100124335
NID5060	For 500 x 600 mm wall cabinets	458 x 566	1	6438100124342
NID6080	For 600 x 800 mm wall cabinets	558 x 766	1	6438100124359
Wall mounting lugs				
NFL1	Set of 4 pcs, plastic	-	1	6438100124670
NFL2	Set of 4 pcs, AISI 304	-	1	6438100169954
Locks				
NDIN1	DIN 3 lock with T-handle (standard lock)	-	1	6438100160296
NKL1	Key lock with a T-handle	-	1	6438100124816
NPD3041	Padlocking accessory, AISI 304	-	1	6438100124854



Internal door kit, NID4060.



Wall mounting lugs, NFL1.



Key lock with a T-handle, NKL1.



Padlocking accessory, NPD3041.

Ensto Cubo M enclosures, IP66

Sizes 75 x 80 x 55 to 400 x 405 x 120 mm



Ensto Cubo M enclosure in brief:

- Available with plain sides
- Available in 13 sizes
- Sturdy construction and high resistance to corrosion and solvents
- Suitable for highly demanding environments such as oil refineries and the petrochemical/chemical industries
- Due to the nature of polyester, ordering enclosures with ready-made cut-outs is recommended

Contents of the product package:

- Enclosure base
- Cover
- Cover screws
- Mounting screws

Further information

- Common enclosure accessories, page 34–37
- Product cards, dimensional drawings and 3D models can be found at ensto.com.

Technical information	
Degree of protection:	IP66
Impact resistance:	7 Nm
Operating temperature:	-40 °C... 110 °C
Insulation:	Class II
Material	
Base/cover:	Glass reinforced polyester (GRP)
Cover screws:	Stainless steel
Gasket:	Chloroprene (CR)
Enclosure side types	
GRP enclosures:	Plain sides
Standard color	
Base/cover:	Similar to grey RAL 7000

Width (mm)	Height (mm)	Depth (mm)	Inner depth (mm)	Polyester plain sides (product code, GTIN-13)	Mounting plates, galvanized steel	DIN rails galvanized steel	
						DIN-15	DIN-35
75	80	55	47.5	MGRP080806 6418677165610	MMP0808B 6418677157752	DR15.0808M 6418677158018	
	110	55	47.5	MGRP081106 6418677165627	MMP0811B 6418677157769	DR15.0811 6418677158025	
	160	55	47.5	MGRP081606 6418677165634	MMP0816B 6418677157776	DR15.0816 6418677158032	
	190	55	47.5	MGRP081906 6418677165641	MMP0819B 6418677157783	DR15.0819 6418677158063	
120	122	90	81.0	MGRP121209 6418677165658	MMP1212B 6418677157790		DR35.1212 6418677157059
	220	90	82.0	MGRP122209 6418677165672	MMP1222B 6418677157806		DR35.1220 6418677157066
160	160	91	81.5	MGRP161609 6418677165689	MMP1616B 6418677157813		DR35.1616 6418677157080
	260	91	80.0	MGRP162609 6418677165702	MMP1626B 6418677157820		DR35.1626 6418677157097
	360	91	81.5	MGRP163609 6418677165719	MMP1636B 6418677157837		DR35.1636 6418677158070
	560	91	81.5	MGRP165609 6418677165726	MMP1656B 6418677157844		DR35.1656 6418677157103
250	255	120	109.0	MGRP252612 6418677165733	MMP2526B 6418677157851		DR35.2526 6418677158087
	400	120	109.0	MGRP254012 6418677165757	MMP2540B 6418677157868		DR35.2540.41 6418677158094
400	405	120	109.0	MGRP404112 6418677165764	MMP4041B 6418677157875		DR35.2540.41 6418677158094



Ensto Cubo M enclosures have plain sides and captive cover screws of stainless steel.



Other accessories

Product code	Description	Dimensions (mm)	Package size (pcs)	GTIN-13
HMH12	Hinge pair	25 x 40 x 11.5	1	6418677165443

Machining polyester enclosures is difficult, for which reason ordering customized enclosures is recommended.



Aluminium enclosures

The weight of aluminium is only about a quarter of that of steel. It has high impact-resistance, a wide temperature-resistance range and excellent corrosion-resistance.

BENEFITS:

- › Quick deliveries
- › Wide size range
- › Light weight
- › Excellent water-resistance

Ensto Cubo H enclosures, IP66

Sizes 50 x 45 x 30 to 310 x 601 x 180 mm



Ensto Cubo H enclosure in brief:

- › Available with plain sides
- › Available in 29 sizes
- › Meets the requirements of the machine and military industry as regards to resistance to solvents, petrol and oil

Contents of the product package:

- › Enclosure base
- › Cover
- › Cover screws
- › Mounting screws

Further information

- › Common enclosure accessories, page 34–37
- › Product cards, dimensional drawings and 3D models can be found at ensto.com.

Technical information

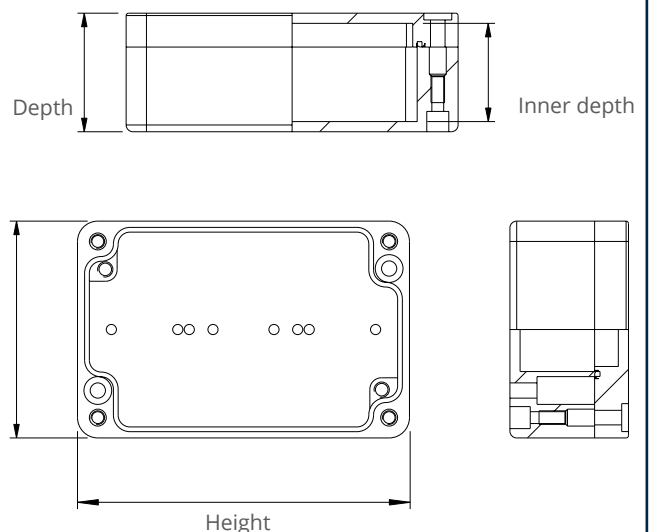
Degree of protection:	IP66
Impact resistance:	7 Nm
Operating temperature:	-40 °C... +110 °C
Material	
Base/cover:	Polyester-painted aluminium
Cover screws:	Stainless steel
Gasket:	PUR (polyurethane)
Enclosure side types	
Aluminium enclosures:	Plain sides
Standard color	
Base/cover:	Grey RAL 7001



Captive cover screws of stainless steel are included in the delivery of Ensto Cubo H enclosures. Mounting screws are integrated in the enclosure base.

Dimensions

You can find the following dimensions on the product tables. More information, product cards, dimensional drawings and 3D models can be found at ensto.com.



Ensto Cubo H enclosures

Width (mm)	Height (mm)	Depth (mm)	Inner depth (mm)	Polyester-painted aluminium plain sides (product code, GTIN-13)	Mounting plates, galvanized steel (product code, GTIN-13)	DIN rails, galvanized steel	
						DIN-15	DIN-35
50	45	30.0	24.5	HALP050503 6418677165450			
64	58	34.0	28.5	HALP060604 6418677165771			
	98	35.0	29.0	HALP061004 6418677165788		DR15.0610 6418677156991	
	150	35.0	27.5	HALP061504 6418677165795		DR15.0615 6418677157004	
80	75	57.5	51.5	HALP080806 6418677165801	HMP0808B 6418677157578	DR15.0808H 6418677157011	
	125	58.0	52.5	HALP081306 6418677165818	HMP0813B 6418677157585	DR15.0813 6418677157028	
		125.5	117.5	HALP081313 6438100088279	HMP0813B 6418677157585	DR15.0813 6418677157028	
	175	58.0	52.0	HALP081806 6418677165825	HMP0818B 6418677157592	DR15.0818 6418677157035	
	250	57.5	50.5	HALP082506 6418677165832		DR15.0825 6418677157042	
120	122	82.0	72.5	HALP121208 6438100090395	HMP1212B 6418677157608		DR35.1212 6418677157059
		92.5	83.0	HALP121209 6418677165849	HMP1212B 6418677157608		DR35.1212 6418677157059
	220	81.5	72.5	HALP122208 6438100088286	HMP1222B 6418677157615		DR35.1220 6418677157066
		91.0	82.5	HALP122009 6418677165856	HMP1222B 6418677157615		DR35.1220 6418677157066
121	360	82.5	72.5	HALP123608 6418677165863	HMP1236B 6418677157622		DR35.12/1636 6418677157073
160	160	92.0	82.0	HALP161609 6418677165870	HMP1616B 6418677157639		DR35.1616 6418677157080
	260	91.5	82.0	HALP162609 6418677165887	HMP1626B 6418677157646		DR35.1626 6418677157097
	360	91.5	82.0	HALP163609 6418677165894	HMP1636B 6418677157653		DR35.12/1636 6418677157073
	560	92.0	81.0	HALP165609 6418677165900	HMP1656B 6418677157660		DR35.1656 6418677157103
202	232	111.5	102.5	HALP202311 6418677165917	HMP2023B 6418677157677		DR35.2023 6418677157110
200	230	181.0	172.0	HALP202318 6418677165924	HMP2023B 6418677157677		DR35.2023 6418677157110
230	280	111.5	102.5	HALP232811 6418677165931	HMP2333B 6418677157691		DR35.2333 6418677157141
233	335	112.0	102.5	HALP233311 6418677165948	HMP2360B 6418677157714		DR35.23/3160 6418677157165
234	335	182.0	172.0	HALP233318 6418677165955	HMP2328B 6418677157684		DR35.2328 6418677157134
230	400.5	111.5	99.0	HALP234011 6418677165962	HMP2333B 6418677157691		DR35.2333 6418677157141
	600	114.0	101.5	HALP236011 6418677165979	HMP2340B 6418677157707		DR35.23/3140 6418677157158
310	403	111.5	100.5	HALP314011 6418677165986	HMP3160B 6418677157738		DR35.23/3160 6418677157165
		181.5	171.0	HALP314018 6418677165993	HMP3160B 6418677157738		DR35.23/3160 6418677157165
	601	112.0	102.0	HALP316011 6418677166006	HMP3140B 6418677157721		DR35.23/3140 6418677157158
		180.0	169.0	HALP316018 6418677166013	HMP3140B 6418677157721		DR35.23/3140 6418677157158

Other accessories

Product code	Description	Dimensions (mm)	Package size (pcs)	GTIN-13
HMHI2	Hinge pair	25 x 40 x 11.5	1	6418677165443



HALP050503



HALP163609



HMHI2



HMP0808B



DR15.0808H

Common enclosure accessories

We offer a wide range of accessories, for instance flanges, pole mounting brackets, thermal management accessories, cable glands, rubber grommets, expansion and reduction nipples.

BENEFITS:

- › Wide range of accessories
- › Sourcing of third-party accessories
- › Assembly services

Flanges

Product code	Description	Dimensions (mm)	Package size (pcs)	GTIN-13
Cover plates for flange openings				
F1151	F1 size excl. gasket, PC/ABS	137 x 48	1	6418677171833
F2251	F2 size Includes PUR gasket, PC	216 x 86	1	6418677171949
Gland flanges				
F1165	F1 size, excl. gasket, 3 x M20, PC/ABS	137 x 48	1	6418677152641
F1166	F1 size, excl. gasket, 3 x M25, PC/ABS	137 x 48	1	6418677152658
F1167	F1 size, excl. gasket, 1 x M32, PC/ABS	137 x 48	1	6418677152665
F2157	F2 size, Includes PUR gasket, 3 x Pg21 + 4 x Pg16, PC	216 x 86	1	6418677171956
F2158	F2 size, Includes PUR gasket, 2 x Pg29 + 6 x Pg16, PC	216 x 86	1	6418677171963
F2159	F2 size, Includes PUR gasket, 2 x Pg36 + 4 x Pg16, PC	216 x 86	1	6418677171970
F2160	F2 size, Includes PUR gasket, 8 x Pg16, PC	216 x 86	1	6418677171987
F2161	F2 size, Includes PUR gasket, 10 x Pg13.5, PC	216 x 86	1	6418677171994
F2168	F2 size, Includes PUR gasket, 4 x M20 + 1 x M25 + 2 x M32, PC	216 x 86	1	6418677152672
F2169	F2 size, Includes PUR gasket, 6 x M20 + 1 x M32 + 1 x M40, PC	216 x 86	1	6418677152689
F2170	F2 size, Includes PUR gasket, 4 x M20 + 2 x M40, PC	216 x 86	1	6418677152696
F2171	F2 size, incl. PUR gasket, 8 x M20, PC	216 x 86	1	6418677152702
F2172	F2 size, incl. PUR gasket, 10 x M16, PC	216 x 86	1	6418677152719
Knockout flanges				
F2252	F2 size, Includes PUR gasket, 7 x Pg11 + 7 x Pg9/16, PC	216 x 86	1	6418677172113
F2253	F2 size, Includes PUR gasket, 2 x Pg21/29/36 + 2 x Pg9/16 + 1 x Pg11, PC	216 x 86	1	6418677172397
F2254	F2 size, Includes PUR gasket, 5 x Pg16/21 + 2 x Pg11 + 1 x Pg9/16, PC	216 x 86	1	6418677172403
F2255	F2 size, Includes PUR gasket, 7 x M16 + 7 x M12/20, PC	216 x 86	1	6418677172595
F2256	F2 size, Includes PUR gasket, 2 x M20/32/50 + 2 x M12/20 + 2 x M16, PC	216 x 86	1	6418677172625
F2257	F2 size, Includes PUR gasket, 5 x M20/32 + 2 x M16 + 1 x M12/20, PC	216 x 86	1	6418677172700
Membrane flanges				
F1201	F1 size, for 5x ø 7-30 mm cables, EPDM	138 x 48	1	6418677171871
F2202	F2 size, for 25 x ø 5-26 mm cables, EPDM	216 x 84	1	6418677172007
F2203	F2 size, for 35 x ø 5-26 mm cables, EPDM	216 x 84	1	6418677172014
F2204	F2 size, for 3 x ø 24-60 mm cables, EPDM	216 x 84	1	6418677172021
F1155	F1 size, excl. gasket, 3 x ø 21 + 4 x ø 15 mm, TPE	135 x 47	1	6418677171888
F1156	F1 size, excl. gasket, 4 x ø 16 + 6 x ø 13 mm, TPE	135 x 47	1	6418677171895
F2162	F2 size, excl. gasket, 3 x ø30 + 6 x ø18 + 16 x ø14 mm, TPE	226 x 87	1	6418677172038
F2163	F2 size, excl. gasket, 9 x ø18 + 24 x ø14 mm, TPE	226 x 87	1	6418677172045
Membrane flange for steel enclosures only				
PMR331	F2 size, for cable ø: 37/32/27/22/17/12 mm	79 x 210 x 28	10	6418677163555

EPDM = ethylene propylene diene M-class rubber
TPE = thermoplastic elastomer



F2251



F2157



F2252



F2202

Flange accessories

Product code	Description	Dimensions (mm)	Package size (pcs)	GTIN-13
F2CE.1	Cable spreader for 1 cable	216 x 86 x 68	1	6418677181672
F2C50E	50 mm extension frame for F2 flange, polycarbonate	216 x 86 x 50	1	6418677173448
F1G	Self-adhesive flange gasket, F1 size	137 x 48	1	6418677171925
F2G	Self-adhesive flange gasket, F2 size	216 x 84	1	6418677172076
F1SS20	Flange bolt set, F1 size, steel bolt with plastic head	M6 x 20	1	6418677173066
F2SS20	Flange bolt set, F2 size, steel bolt with plastic head	M8 x 20	1	6418677171932
F2SS20L	Flange bolt set, F2 size, steel bolt with plastic head + steel connector	M8 x 20	1	6418677181689
F1PA25	Flange bolt set, F1 size, polyamide	M6 x 25	1	6418677173080
F2PA30	Flange bolt set, F2 size, polyamide	M8 x 30	1	6418677172083
PMR1857	Flange/base support for F2 size, polyamide	216 x 22	10	6418677172106
PMR1858	Isolating cup for support PMR1857, polyamide	ø 18 mm	20	6418677171796



Cable spreader for 1 cable, F2CE.1.

Flange and gland sets

Product code	Description	Dimensions (mm)	Package size (pcs)	GTIN-13
F2202KIT	Flange set, F2202, F2 size	84 x 215 x 40	1	6418677182556
F2CE.1T	Complete cable entry, F2 size	84 x 215 x 40	1	6418677181535
KTM1.1	Cable gland set: 2 x M12, 3 x M16, 2 x M20	135 x 210 x 25	1	6418677173233
KTM2.1	Cable gland set: 3 x M16, 2 x M20, 2 x M25	135 x 210 x 30	1	6418677173240
KTM3.1	Cable gland set: 4 x M20, 2 x M25, 1 x M32	135 x 210 x 55	1	6418677173257
F2GSS20T	Mounting kit for Cubo C bases, F2 size	200 x 250 x 15	1	6418677181504
OLSH1.2	Hinged and slotted cover screw, pair (blue)	130 x 170 x 15	1	6418677181511



Pole mounting brackets for Cubo O, C, W and N enclosures

Pole mounting brackets were designed to securely fasten your enclosure to a pole. The pole mounting brackets are a set of two rails or a plate with a pole clamp and needed screws.

Product code	Description	Dimensions (mm)	Package size (pcs)	GTIN-13
Sets of two rails				
PMB20	For 200 mm wide enclosure	28 x 35 x 195	1	6438100131739
PMB25	For 250 mm wide enclosure	28 x 35 x 245	1	6438100135430
PMB30	For 300 mm wide enclosure	28 x 35 x 295	1	6438100131753
PMB40	For 400 mm wide enclosure	28 x 35 x 395	1	6438100131760
PMB50	For 500 mm wide enclosure	28 x 35 x 495	1	6438100131777
PMB60	For 600 mm wide enclosure	28 x 35 x 595	1	6438100131784
Sets with a plate				
PMB2020	For 200 mm wide enclosure	41 x 200 x 205	1	6438100131746



Condensation and pressure relief

Product code	Description	Dimensions (mm)	Package size (pcs)	GTIN-13
Ventilation and drain valve				
BVD22	Ventilation device, IP55 type 4x, polycarbonate siloxane,	50 x 50 x 20	1	6438100161590
DWP1	Drain water plug, IP44, rubber	Ø33	1	6418677172731
Breathers				
BPA10H	Breather, IP68, polyamide, grey, 120 l/h	Ø19 x 17	1	6418677184314
BPA10HB	Breather, IP68, polyamide, black, 120 l/h	Ø19 x 17	1	6418677184321



Ventilation device, IP55, BVD22.

Distance bushings

Product code	Description	Dimensions	Package size (pcs)	GTIN-13
PSK36.050	External Ø 10 mm, aluminium	Length 5.0 mm	100	6418677166907
PSK36.085	External Ø 10 mm, aluminium	Length 8.5 mm	100	6418677166914
PSK36.100	External Ø 10 mm, aluminium	Length 10.0 mm	100	6418677166921
PSK36.120	External Ø 10 mm, aluminium	Length 12.0 mm	100	6418677166938
PSK36.150	External Ø 10 mm, aluminium	Length 15.0 mm	100	6418677166945
PSK36.200	External Ø 10 mm, aluminium	Length 20.0 mm	100	6418677166952
PSK36.250	External Ø 10 mm, aluminium	Length 25.0 mm	100	6418677166969
PSK36.300	External Ø 10 mm, aluminium	Length 30.0 mm	50	6418677166976
PSK36.350	External Ø 10 mm, aluminium	Length 35.0 mm	50	6418677166983
PSK36.400	External Ø 10 mm, aluminium	Length 40.0 mm	50	6418677166990
PSK36.450	External Ø 10 mm, aluminium	Length 45.0 mm	50	6418677167003
PSK36.500	External Ø 10 mm, aluminium	Length 50.0 mm	50	6418677167010



PSK36.150

Cable glands, metric thread

Dimensions	Cable gland, grey polyamide with strain relief, IP68 (product code, GTIN-13)	Cable gland, grey polyamide with strain relief, IP68, long thread (product code, GTIN-13)	Counter nut grey polyamide (product code, GTIN-13)	Cover plug grey polyamide (product code, GTIN-13)
M12	KTM24.12 6416031851124 Cable Ø 3-6.5 mm, thread length 8 mm		PMR1218.12 6416031859120	PMR1217.12 6416031853128
M16	KTM24.16 6416031851162 Cable Ø 5-10 mm, thread length 10 mm	KTM24.16L 6418677171062 Cable Ø 5-10 mm, thread length 15 mm	PMR1218.16 6416031859168	PMR1217.16 6416031853166
M20	KTM24.20 6416031851209 Cable Ø 10-14 mm, thread length 10 mm	KTM24.20L 6418677171079 Cable Ø 10-14 mm, thread length 15 mm	PMR1218.20 6416031859205	PMR1217.20 6416031853203
M25	KTM24.25 6416031851254 Cable Ø 13-18 mm, thread length 10 mm	KTM24.25L 6418677171086 Cable Ø 13-18 mm, thread length 15 mm	PMR1218.25 6416031859250	PMR1217.25 6416031853258
M32	KTM24.32 6416031851322 Cable Ø 18-25 mm, thread length 18 mm		PMR1218.32 6416031859328	PMR1217.32 6416031853326
M40	KTM24.40 6416031851407 Cable Ø 22-32 mm, thread length 18 mm		PMR1218.40 6416031859403	PMR1217.40 6416031853401
M50	KTM24.50 6416031851506 Cable Ø 30-38 mm, thread length 18 mm		PMR1218.50 6416031859502	PMR1217.50 6416031853500
M63	KTM24.63 6418677171031 Cable Ø 34-44 mm, thread length 18 mm		PMR1218.63 6418677171048	PMR1217.63 6418677171055



KTM24.12



KT24.07

Enlargers and reducers, metric thread

Dimensions	Expansion nipple grey polyamide (Product code, GTIN-13)	Expansion nipple grey polyamide, M > Pg (Product code, GTIN-13)	Reduction nipple grey polyamide (Product code, GTIN-13)
M12	PMR1220.1216 6416031856129 M12 > M16	PMR1221.1209 6416031855122 M12 > Pg9	
M16	PMR1220.1620 6416031856167 M16 > M20	PMR1221.1609 6416031855160 M16 > Pg9	PMR1219.1612 6416031854163 M16 > M12
M20	PMR1220.2025 6416031856204 M20 > M25	PMR1221.2011 6416031855207 M20 > Pg11	PMR1219.2012 6416031854200 M20 > M12
		PMR1221.2013 6416031855214 M20 > Pg13,5	PMR1219.2016 6416031854217 M20 > M16
M32	PMR1220.2532 6416031856259 M25 > M32	PMR1221.2516 6416031855252 M25 > Pg16	PMR1219.2512 6416031854255 M25 > M12
		PMR1221.2521 6416031855269 M25 > Pg21	PMR1219.2516 6416031854262 M25 > M16
			PMR1219.2520 6416031854279 M25 > M20
M40	PMR1220.3240 6416031856327 M32 > M40	PMR1221.3229 6416031855320 M32 > Pg29	PMR1219.3216 6416031854330 M32 > M16
			PMR1219.3220 6416031854347 M32 > M20
			PMR1219.3225 6416031854354 M32 > M25
M40		PMR1221.4029 6416031855405 M40 > Pg29	PMR1219.4020 6416031854415 M40 > M20
			PMR1219.4025 6416031854422 M40 > M25
			PMR1219.4032 6416031854439 M40 > M32
M50		PMR1221.5036 6416031855504 M50 > Pg36	PMR1219.5025 6416031854514 M50 > M25
		PMR1221.5042 6416031855511 M50 > Pg42	PMR1219.5032 6416031854521 M50 > M32
			PMR1219.5040 6416031854538 M50 > M40
M63		PMR1221.6348 6416031855634 M63 > Pg48	PMR1219.6332 6416031854644 M63 > M32
			PMR1219.6340 6416031854651 M63 > M40
			PMR1219.6350 6416031854668 M63 > M50

Rubber grommets, metric thread

Dimensions	Membrane gasket (product code, GTIN-13)	Membrane gasket, V-0 (product code, GTIN-13)
M12	RGM12 6438100143442 Cable Ø 4-7 mm	RGM12.V0 6438100143305 Cable Ø 3-5 mm
M16	RGM16 6438100143459 Cable Ø 5-9 mm	RGM16.V0 6438100143312 Cable Ø 5-7 mm
M20	RGM20 6438100143466 Cable Ø 8-13 mm	RGM20.V0 6438100143329 Cable Ø 7-10 mm
M25	RGM25 6438100143473 Cable Ø 11-17 mm	RGM25.V0 6438100143336 Cable Ø 10-14 mm
M32	RGM32 6438100143480 Cable Ø 15-20 mm	RGM32.V0 6438100143343 Cable Ø 14-20 mm
M40	RGM40 6438100143497 Cable Ø 19-28 mm	RGM40.V0 6438100143350 Cable Ø 20-26 mm
M50	RGM50 6438100143503 Cable Ø 27-35 mm	RGM50.V0 6438100143367 Cable Ø 26-35 mm



PMR1220.1216



PMR1221.1209



PMR1219.1612



RGM25

Inspection windows, polycarbonate

Product code	Description	Dimensions (mm)	Package size (pcs)	GTIN-13
Hinged windows				
VMA2	For 2 modules	67 x 59	1	6418677151170
VMA4	For 4 modules	67 x 94	1	6418677151187
VMA6	For 6 modules	67 x 130	1	6418677151194
VMA8	For 8 modules	67 x 163	1	6418677151200
VMA10	For 10 modules	67 x 200	1	6418677151217
VMA12	For 12 modules	67 x 233	1	6418677151224
Window				
VMA1519	Opening: 113 x 153 mm, includes screws	150 x 190 x 10	1	6418677174193



VMA2



VMA1519

Other accessories

Product code	Description	Dimensions (mm)	Package size (pcs)	GTIN-13
PMR70.1612	Wiring plug, cable lead-through 16 mm, 12 ea./set	Ø 20/16	5	6418677163784
PMR1387	Plug for cover panel, Ø 6 mm hole	20 x 31 x 6	100	6418677166730
PME1	Cover plate, width 45 mm, length 2 m (PVC)	45 x 2000 x 7	1	6418677166747
KY2.15	Plastic latch, 15 mm closing space	Ø 23 x 26	100	6418677166754
ST80/U	Delta key, Δ 11 mm	34 x 52 x 16	10	6418677170430
KY1.20	Fixing screw for kWh meter	M5 x 22	100	6418677166792
PTK14	Sealing screw, M4 x 10/16mm	L = 16	100	6418677166808
PTK13	Sealing screw, M4 x 16/22mm	L = 22	100	6418677166815
PTK11	Sealing screw, M4 x 20/25mm	L = 25	100	6418677166822
PLE152	Sealing screw, F4,2 x 16/21 mm	L = 21	100	6418677166839



PMR1219.1612

