

Ensto Clampo Pro branching terminals

For Al/Cu conductors from 10 mm² to 95 mm²



Ensto Clampo Pro branching terminals in brief:

- For Al/Cu conductors 10 – 95 mm²
- Main conductor can be either Al or Cu, branching for Cu only
- Can be used for rising cable without cutting the main conductor
- The series includes:
 - three-pole branching terminal blocks with and without a shroud
 - a four-pole branching terminal blocks with a shroud
 - an additional pole (in grey, blue and yellow-green)
- A four-pole terminal is created by attaching an additional pole to a three-pole terminal
- Shrouds can be sealed with a sealing screw

Standards

Product code	Standard
Three-pole terminals	
KE85.3	IEC 61545
KE85.30	IEC 61545
KE86.3	IEC 61545
KE86.30	IEC 61545
KE87.3	IEC 61545
KE87.30	IEC 61545
Four-pole terminals	
KE85.40	IEC 61545
KE86.40	IEC 61545
KE87.40	IEC 61545
Additional poles	
KE85.1, KE85.1B	IEC 61545
KE86.1, KE86.1B	IEC 61545
KE87.1, KE87.1B	IEC 61545
KE85.1YG	IEC 61545, EN 60947-7-2
KE86.1YG	IEC 61545, EN 60947-7-2
KE87.1YG	IEC 61545, EN 60947-7-2

Conformity	
Technical information	
Cross-section range:	
Main:	Al/Cu 35 - 95 mm ²
Branching:	Cu 10 - 50 mm ²
Nominal current range:	99 - 215 A
Nominal insulation voltage:	750 V
Material	
Housing:	Polyamide
Body and screws:	Tin-coated aluminium (tin-coated brass screws in KE85)
Mechanical features	
Screw head:	Hexagonal
Mounting:	Screws or DIN rail



When using an aluminium main conductor, the main and branching conductors are installed so that they are not in direct contact.

Product cards with technical drawings can be found at www.ensto.com.

Ensto Clampo Pro branching terminals

Ensto Clampo Pro, branching terminals

Product code	Conductor cross-section (mm ²)	Colour	Shroud	Nominal current (A)	Nominal insulation voltage (V)	Screw head hexagon (mm)	Tightening torque (Nm)	Mounting	Weight (kg)	Package size (pcs)	EAN 13 code
Three-pole terminals											
KE85.3	Main Al/Cu 35 mm ² , Branching Cu 1 x 16 mm ² or 2 x 10 mm ²	Grey	-	99 A	750 V	3 mm	4 Nm	DIN rail/ screw	0.114	25	6418677181887
KE85.30	Main Al/Cu 35 mm ² , Branching Cu 1 x 16 mm ² or 2 x 10 mm ²	Grey	x	99 A	750 V	3 mm	4 Nm	DIN rail/ screw	0.131	10	6418677181894
KE86.3	Main Al/Cu 50 mm ² , Branching Cu 1 x 35 mm ² or 2 x 16 mm ²	Grey	-	171 A	750 V	5 mm	8 Nm	DIN rail/ screw	0.151	25	6418677181917
KE86.30	Main Al/Cu 50 mm ² , Branching Cu 1 x 35 mm ² or 2 x 16 mm ²	Grey	x	171 A	750 V	5 mm	8 Nm	DIN rail/ screw	0.173	10	6418677181924
KE87.3	Main Al/Cu 95 mm ² , Branching Cu 1 x 50 mm ² or 2 x 25 mm ²	Grey	-	215 A	750 V	5 mm	10 Nm	DIN rail/ screw	0.262	20	6418677181948
KE87.30	Main Al/Cu 95 mm ² , Branching Cu 1 x 50 mm ² or 2 x 25 mm ²	Grey	x	215 A	750 V	5 mm	10 Nm	DIN rail/ screw	0.290	5	6418677181955
Four-pole terminals (three-pole + additional pole)											
KE85.40	Main Al/Cu 35 mm ² , Branching Cu 1 x 16 mm ² or 2 x 10 mm ²	Grey/Blue	x	99 A	750 V	3 mm	4 Nm	DIN rail/ screw	0.178	5	6418677181900
KE86.40	Main Al/Cu 50 mm ² , Branching Cu 1 x 35 mm ² or 2 x 16 mm ²	Grey/Blue	x	171 A	750 V	5 mm	8 Nm	DIN rail/ screw	0.230	5	6418677181931
KE87.40	Main Al/Cu 95 mm ² , Branching Cu 1 x 50 mm ² or 2 x 25 mm ²	Grey/Blue	x	215 A	750 V	5 mm	10 Nm	DIN rail/ screw	0.391	5	6418677181962
Additional poles											
KE85.1	Main Al/Cu 35 mm ² , Branching Cu 1 x 16 mm ² or 2 x 10 mm ²	Grey	-	99 A	750 V	3 mm	4 Nm	-*	0.040	25	6418677181979
KE85.1B	Main Al/Cu 35 mm ² , Branching Cu 1 x 16 mm ² or 2 x 10 mm ²	Blue	-	99 A	750 V	3 mm	4 Nm	-*	0.040	25	6418677182075
KE85.1YG	Main Al/Cu 35 mm ² , Branching Cu 1 x 16 mm ² or 2 x 10 mm ²	Yellow/ Green	-	99 A	750 V	3 mm	4 Nm	-*	0.040	25	6418677182105
KE86.1	Main Al/Cu 50 mm ² , Branching Cu 1 x 35 mm ² or 2 x 16 mm ²	Grey	-	171 A	750 V	5 mm	8 Nm	-*	0.052	50	6418677181986
KE86.1B	Main Al/Cu 50 mm ² , Branching Cu 1 x 35 mm ² or 2 x 16 mm ²	Blue	-	171 A	750 V	5 mm	8 Nm	-*	0.052	50	6418677182082
KE86.1YG	Main Al/Cu 50 mm ² , Branching Cu 1 x 35 mm ² or 2 x 16 mm ²	Yellow/ Green	-	171 A	750 V	5 mm	8 Nm	-*	0.052	50	6418677182112
KE87.1	Main Al/Cu 95 mm ² , Branching Cu 1 x 50 mm ² or 2 x 25 mm ²	Grey	-	215 A	750 V	5 mm	10 Nm	-*	0.090	25	6418677181993
KE87.1B	Main Al/Cu 95 mm ² , Branching Cu 1 x 50 mm ² or 2 x 25 mm ²	Blue	-	215 A	750 V	5 mm	10 Nm	-*	0.090	25	6418677182099
KE87.1YG	Main Al/Cu 95 mm ² , Branching Cu 1 x 50 mm ² or 2 x 25 mm ²	Yellow/ Green	-	215 A	750 V	5 mm	10 Nm	-*	0.090	25	6418677182129

Operating temperature: max. 80 °C

Pollution degree: 3

* Attached to the side of a 3-pole terminal, can not be mounted separately

The nominal currents in the table are for maximum cross-sections.



KE85.3



KE86.30



KE87.40



KE86.1

Shrouds

Product code	Description	Poles	Weight (kg)	Package size (pcs)	EAN 13 code
Terminal shrouds					
PEE185.3	Terminal shroud, 3-pole for KE85.3	3	0.018	1	6418677182006
PEE185.4	Terminal shroud, 4-pole for KE85.3 + additional pole	4	0.024	1	6418677182013
PEE186.3	Terminal shroud, 3-pole for KE86.3	3	0.022	1	6418677182020
PEE186.4	Terminal shroud, 4-pole for KE86.3 + additional pole	4	0.027	1	6418677182037
PEE187.3	Terminal shroud, 3-pole for KE87.3	3	0.029	1	6418677182044
PEE187.4	Terminal shroud, 4-pole for KE87.3 + additional pole	4	0.039	1	6418677182051

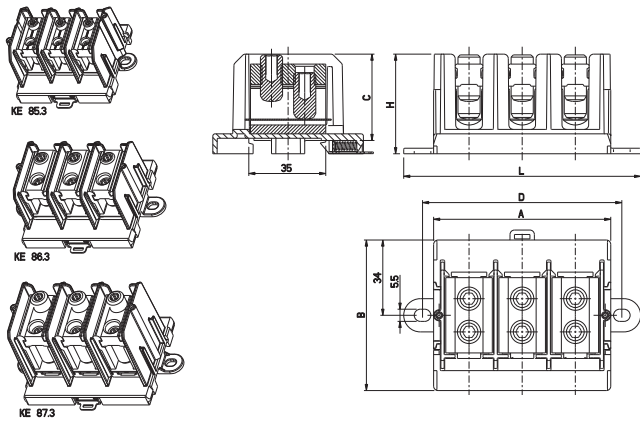


Terminal shroud, PEE186.3.

Technical drawings, Ensto Clampo Pro, branching terminals

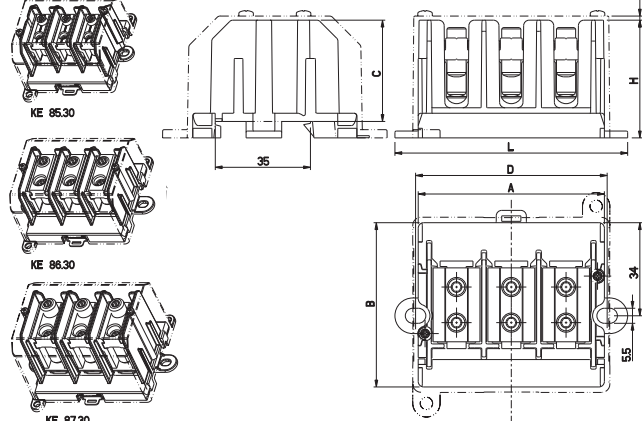
Dimensions in mm

KE85.3, KE86.3, KE 87.3



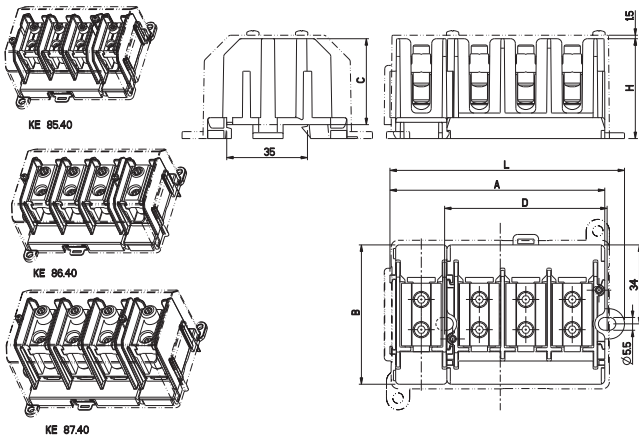
	A	B	C	D	H	L
KE85.3	68	60	37	70	43	85
KE86.3	80	68	39	90	45	107
KE87.3	91	68	56	102	62	119

KE85.30, KE86.30, KE 87.30



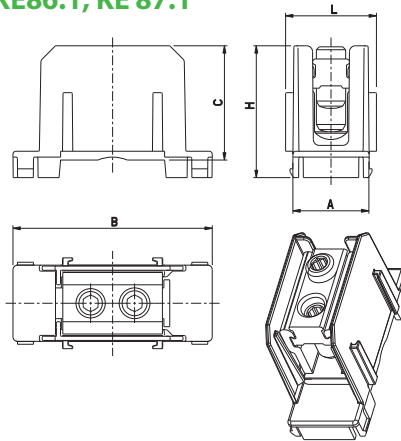
	A	B	C	D	H	L
KE85.30	68	60	37	70	43	85
KE86.30	80	68	39	90	45	107
KE87.30	91	68	56	102	62	119

KE85.40, KE86.40, KE 87.40



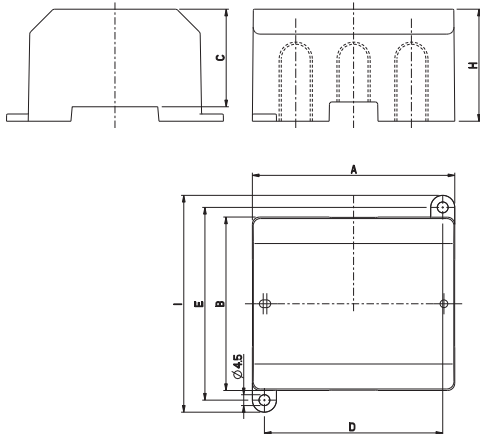
	A	B	C	D	H	L
KE85.40	92.5	60	37	70	43	101
KE86.40	108.5	68	39	90	45	122
KE87.40	123.5	68	56	102	62	137.5

KE85.1, KE86.1, KE 87.1



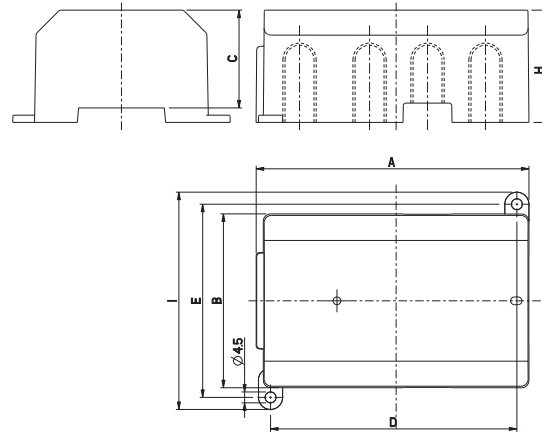
	A	B	C	H	L
KE85.1, KE85.1B, KE85.1YG	22	60	37	43	27
KE86.1, KE86.1B, KE86.1YG	26	68	39	45	31
KE87.1, KE87.1B, KE87.1YG	30	68	56	62	35

PEE185.3, PEE186.3, PEE187.3



	A	B	C	D	E	H	I
PEE185.3	72	64	38.5	62	72	44.5	82
PEE186.3	84	72	40.5	74	80	46.5	90
PEE187.3	95	72	57.5	85	80	63.5	90

PEE185.4, PEE186.4, PEE187.4



	A	B	C	D	E	H	I
PEE185.4	97	64	38.5	86	72	44.5	82
PEE186.4	113	72	40.5	102	80	46.5	90
PEE187.4	125	72	57.5	118	80	63.5	90