



## General Data

### LUMOTAST FK - Illuminated pushbutton range

- Illuminable pushbuttons and signal lamps with lamp socket T 1/T 1¼.
- Mounting hole diameter 16.2 mm
- 35 V/100 mA max.
- Water-jet proof IP65
- Low profile
- Keyed socket connector and flat ribbon cable in insulation displacement (IDC) technology or PCB plug-in socket
- Time-saving click fixing method: Insert pushbutton into front panel and press pushbutton once to fix it.

## Content

<b>LUMOTAST FK - Illuminated pushbutton</b>	<b>1 - 12</b>
LUMOTAST FK - Illuminated pushbutton, square collar	1 - 13
LUMOTAST FK - Illuminated pushbutton	1 - 14
<b>LUMOTAST FK - Signal lamp</b>	<b>1 - 16</b>
LUMOTAST FK - Signal lamp, square collar	1 - 17
LUMOTAST FK - Signal lamp, round collar	1 - 18
LUMOTAST FK - Signal lamp, rectangular collar	1 - 18

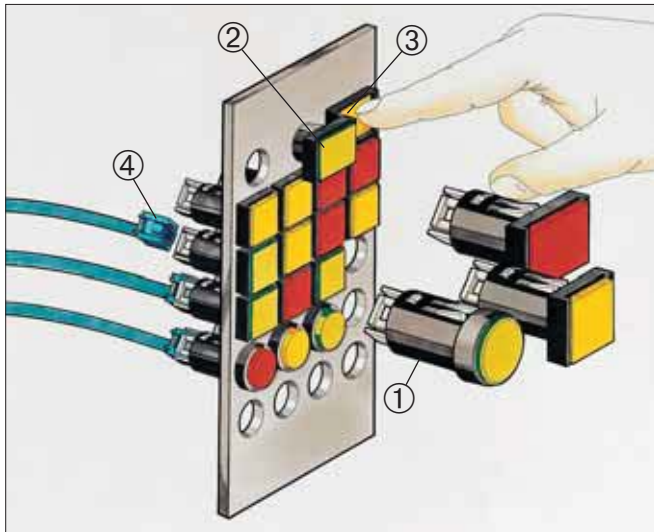
# Series LUMOTAST FK

16.2 mm mounting hole diameter

1

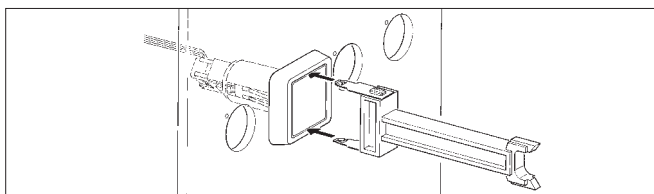
## Mounting

LUMO  
FK

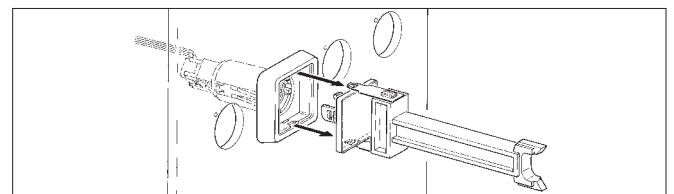


- ① Pushbutton as supplied
- ② Insert pushbutton into panel cut-out
- ③ Press once to fit
- ④ Attach connector with flat-ribbon cable

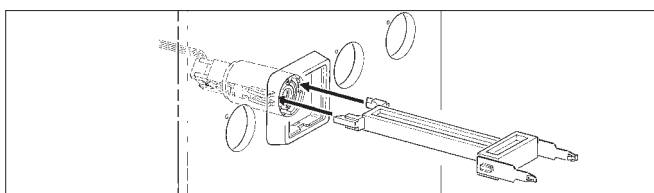
## Disassembly from front side



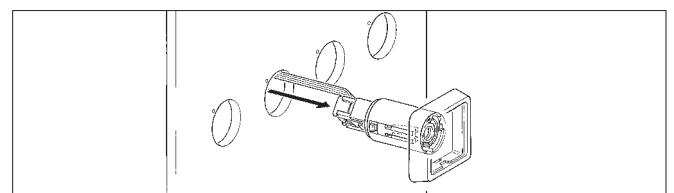
1. Grip body/lens



2. Pull out body/lens



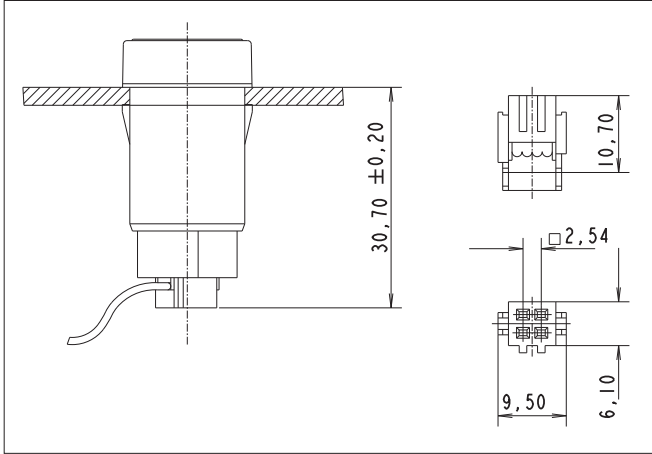
3. Release click lever



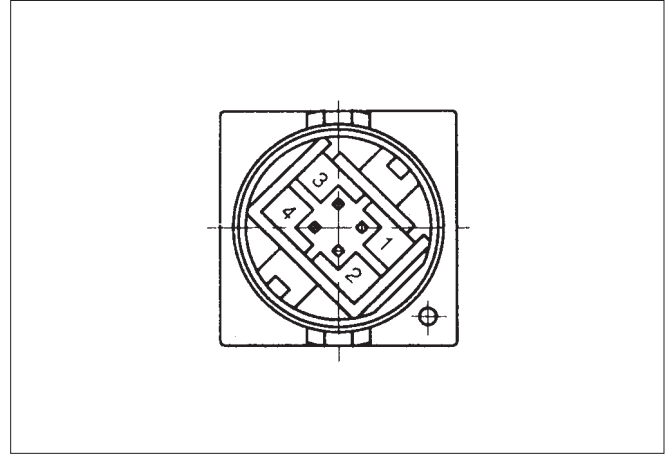
4. Pull out pushbutton/signal lamp with cable

**Dimensional drawing**

With quick connector and flat-ribbon cable

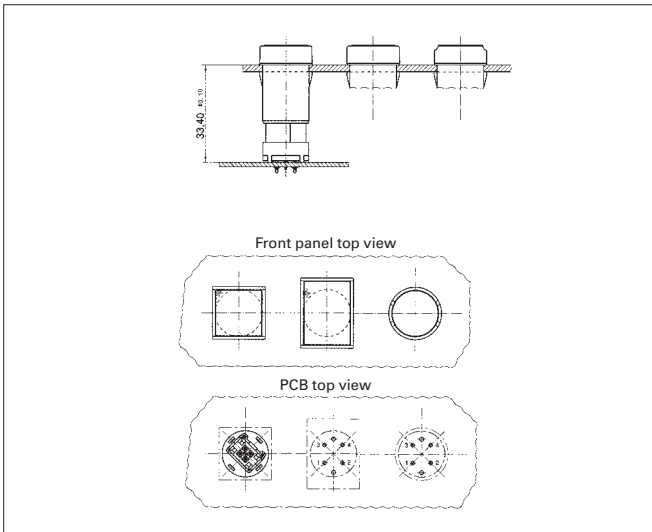


Connection diagram (PCB top view)

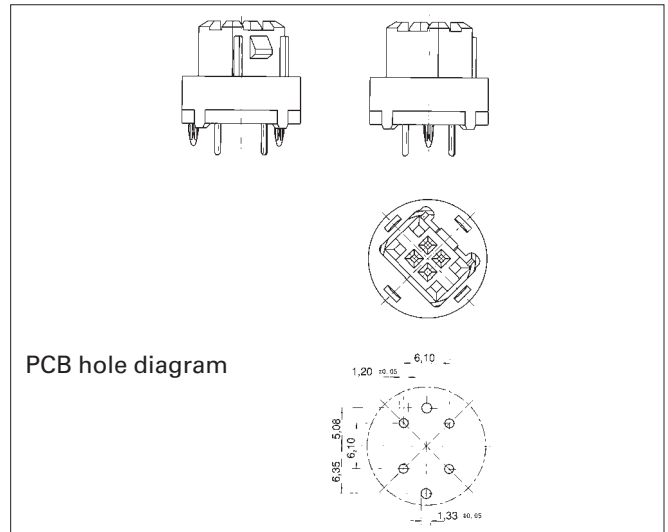


1 + 4 = pushbutton connection, 2 + 3 = lamp connection

With plug-in socket

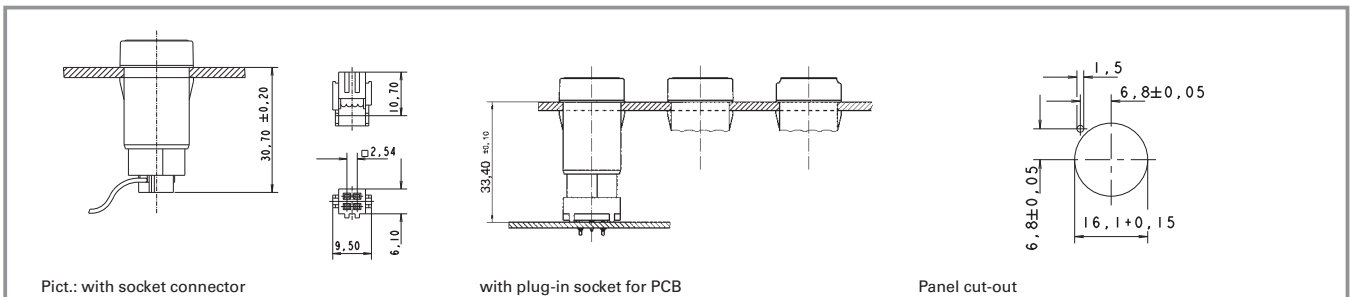


Plug-in socket for PCB



PCB hole diagram

**LUMOTAST FK - Illuminated pushbutton**



Pict.: with socket connector

with plug-in socket for PCB

Panel cut-out

**Technical Data**

**General information**

Actuator	flat lens
Colour of lens	see order block
Form of collar	see order block

**Dimensions**

Length of collar	see order block
Width of collar	see order block
Diameter of collar	see order block
Overall height	6.6 mm
Mounting depth with connector	30.7 mm
Mounting depth with plug-in socket	33.4 mm
Mounting hole	16.2 mm

**Mechanical design**

Mounting	click quick connection
Terminals	pin connector
Contact system	4-pol./ plug-in socket
Contact function	snap-action contact momentary
Contact arrangement	1 NO
Contact materials	Au
Illumination	yes
Lamp socket	Bi-Pin T1 / T1¼

**Mechanical characteristics**

Operating force max.	6 N
Operating travel	3 mm
Switching travel	1.9 mm
Robustness min.	100 N

**Electrical characteristics**

Rated voltage AC/DC max.	35 V
Rated voltage AC/DC min.	0.02 V
Rated current AC/DC max.	100 mA
Rated current AC/DC min.	0.01 mA
Contact resistance acc. to life max.	300 mΩ
Contact resistance when new max.	100 mΩ
Bouncing time max.	5 mΩ

**Other specifications**

Operating life (operations)	1,000,000
Degree of protection from front side	IP65
Operation temperature min.	-25 °C
Ambient temp. operating max. without lamp /LED	+70 °C
Ambient temp. operating max. with lamp /LED	+55 °C
Storage temperature min.	-40 °C
Storage temperature max.	+80 °C
Environmental resistance	acc. to IEC 60068-2 -14, -30, -33 and -78
Weight	6 g

**Typical accessories LUMOTAST FK - Illuminated pushbutton**

Description	Photo	Order no.	Additional accessories see page
Filament lamp, Bi-PinT 1¼ base, 12 V		<b>1.90.180.474/0000</b>	5 - 5
Filament lamp, Bi-PinT 1¼ base, 28 V		<b>1.90.180.475/0000</b>	5 - 5
LED Bi-PinT 1 superbright, red, 24 V		<b>1.90.690.351/0000</b>	5 - 15


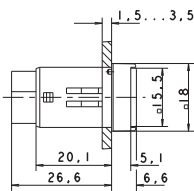
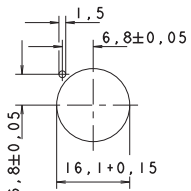
**Typical accessories LUMOTAST FK - Illuminated pushbutton**

Description	Photo	Order no.	Additional accessories see page
LED Bi-PinT 1 superbright, green, 24 V		<b>1.90.690.352/0000</b>	5 - 15
LED Bi-PinT 1 superbright, yellow, 24 V		<b>1.90.690.353/0000</b>	5 - 15
LED Bi-PinT 1 superbright, blue, 24 V		<b>1.90.690.354/0000</b>	5 - 15
LED Bi-PinT 1 superbright, white, 24 V		<b>1.90.690.355/0000</b>	5 - 15
LED Bi-PinT 1, red, 3 V		<b>1.90.691.026/0000</b>	5 - 15
LED Bi-PinT 1, green, 3 V		<b>1.90.691.027/0000</b>	5 - 15
LED Bi-PinT 1, yellow, 3 V		<b>1.90.691.028/0000</b>	5 - 15
Plug-in socket for PCB		<b>5.00.645.036/0000</b>	5 - 23
Cable (flat ribbon cable 10 cm with socket connector and male quick connector, AMP 4-pin)		<b>5.03.771.306/0000</b>	5 - 22
Disassembly tool for LUMOTAST FK		5.05.800.041/0000	5 - 22
Flat ribbon cable, 4-wire, 1 m long		5.37.700.124/0000	5 - 23
Socket connector, 4-pin		<b>5.92.025.368/0000</b>	5 - 22

1

LUMO  
FK

**LUMOTAST FK - Illuminated pushbutton, square collar**

 <p>Pict.: with yellow lens</p>   <p>Panel cut-out</p>			
Contact function	Contact arrangement	Order no. without lens	Note
momentary	1 NO	<b>1.15.114.906/0000</b>	Please include the desired lens in your order.

Technical data see page 1 - 12

**Lenses:**

- Lens, square, transparent colourless: **5.49.075.015/1002**
- Lens, square, transparent red: **5.49.075.015/1306**
- Lens, square, transparent yellow: **5.49.075.015/1403**
- Lens, square, transparent green: **5.49.075.015/1505**
- Lens, square, transparent blue: **5.49.075.015/1607**

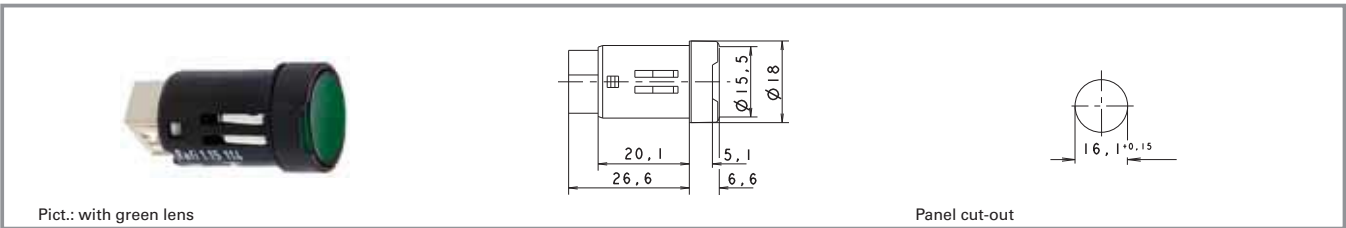
A notch on the lamp socket identifies the cathode side.

Pushbuttons

Stock items are marked by bold printed order numbers.

1

**LUMOTAST FK - Illuminated pushbutton**



Contact function	Contact arrangement	Order no. without lens	Note
momentary	1 NO	<b>1.15.114.936/0000</b>	Please include the desired lens in your order.

Technical data see page 1 - 12

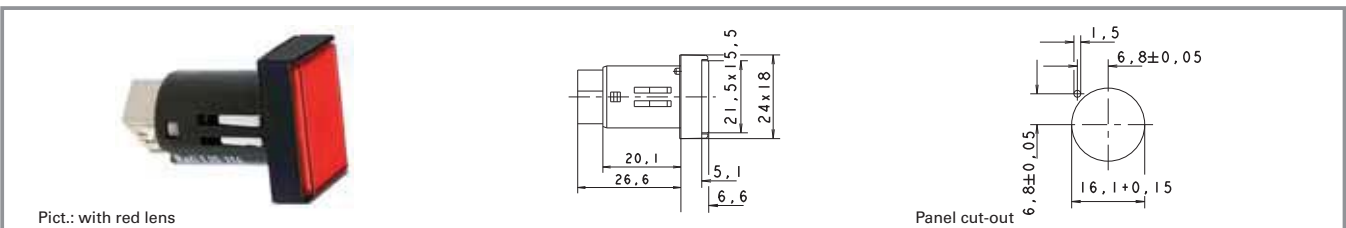
**Lenses:**

- Lens, round, transparent colourless: **5.49.075.016/1002**
- Lens, round, transparent red: **5.49.075.016/1306**
- Lens, round, transparent yellow: **5.49.075.016/1403**
- Lens, round, transparent green: **5.49.075.016/1505**
- Lens, round, transparent blue: **5.49.075.016/1607**

A notch on the lamp socket identifies the cathode side.

LUMO  
FK

**LUMOTAST FK - Illuminated pushbutton**



Contact function	Contact arrangement	Order no. without lens	Note
momentary	1 NO	<b>1.15.114.966/0000</b>	Please include the desired lens in your order.

Technical data see page 1 - 12

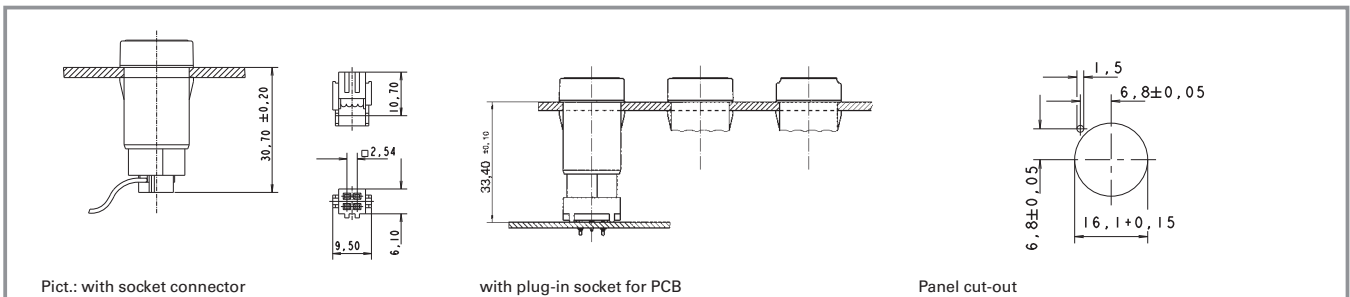
**Lenses:**

- Lens, rectangular, transparent colourless: **5.49.075.017/1002**
- Lens, rectangular, transparent red: **5.49.075.017/1306**
- Lens, rectangular, transparent yellow: **5.49.075.017/1403**
- Lens, rectangular, transparent green: **5.49.075.017/1505**
- Lens, rectangular, transparent blue: **5.49.075.017/1607**

A notch on the lamp socket identifies the cathode side.



**LUMOTAST FK - Signal lamp**



Pict.: with socket connector

with plug-in socket for PCB

Panel cut-out

**Technical Data**

**General information**

Form of lens	flat lens
Colour of lens	see order block
Form of collar	see order block

**Dimensions**

Length of collar	see order block
Width of collar	see order block
Overall height	see order block
Mounting depth with connector	30.7 mm
Mounting depth with plug-in socket	33.4 mm
Mounting hole	16.2 mm

**Mechanical design**

Mounting	click quick connection
Terminals	pin connector
Lamp socket	4-pol./ plug-in socket
Lamp	Bi-Pin T 1/T 1¼ filament lamp / LED

**Electrical characteristics**

Voltage limit max.	24 V
Power limit max.	0.7 W

**Other specifications**

Degree of protection from front side	IP65
Weight	5 g
Operation temperature min.	-25 °C
Ambient temp. operating max.	+55 °C
Storage temperature min.	-40 °C
Storage temperature max.	+80 °C
Environmental resistance	acc. to IEC 60068-2 -14, -30, -33 and -78

**Typical accessories LUMOTAST FK - Signal lamp**

Description	Photo	Order no.	Additional accessories see page
Filament lamp, Bi-PinT 1¼ base, 12 V		<b>1.90.180.474/0000</b>	5 - 5
Filament lamp, Bi-PinT 1¼ base, 28 V		<b>1.90.180.475/0000</b>	5 - 5
LED Bi-PinT 1 superbright, red, 24 V		<b>1.90.690.351/0000</b>	5 - 15
LED Bi-PinT 1 superbright, green, 24 V		<b>1.90.690.352/0000</b>	5 - 15
LED Bi-PinT 1 superbright, yellow, 24 V		<b>1.90.690.353/0000</b>	5 - 15
LED Bi-PinT 1 superbright, blue, 24 V		<b>1.90.690.354/0000</b>	5 - 15
LED Bi-PinT 1 superbright, white, 24 V		<b>1.90.690.355/0000</b>	5 - 15



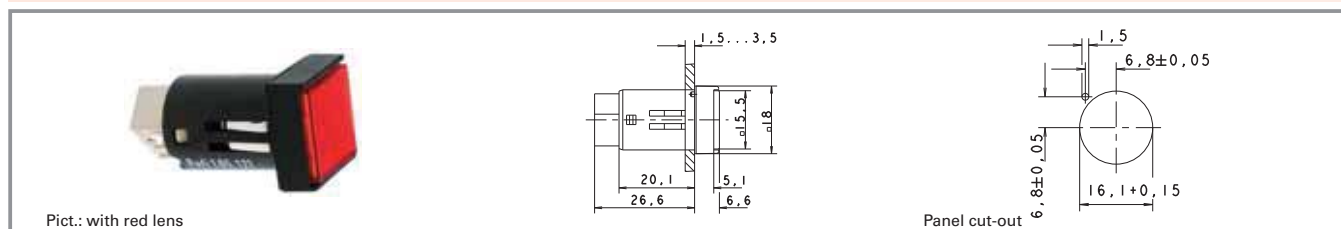
**Typical accessories LUMOTAST FK - Signal lamp**

Description	Photo	Order no.	Additional accessories see page
LED Bi-PinT 1, red, 3V		<b>1.90.691.026/0000</b>	5 - 15
LED Bi-PinT 1, green, 3V		<b>1.90.691.027/0000</b>	5 - 15
LED Bi-PinT 1, yellow, 3V		<b>1.90.691.028/0000</b>	5 - 15
Plug-in socket for PCB		<b>5.00.645.036/0000</b>	5 - 23
Cable (flat ribbon cable 10 cm with socket connector and male quick connector, AMP 4-pin)		<b>5.03.771.306/0000</b>	5 - 22
Disassembly tool for LUMOTAST FK		5.05.800.041/0000	5 - 22
Flat ribbon cable, 4-wire, 1 m long		5.37.700.124/0000	5 - 23
Socket connector, 4-pin		<b>5.92.025.368/0000</b>	5 - 22

1

LUMO  
FK

**LUMOTAST FK - Signal lamp, square collar**



Power limit max.	Voltage limit max.	Lamp socket	Order no. without lens	Note
0.7 W	24 V	Bi-PinT 1/T 1¼	<b>1.65.121.906/0000</b>	Please include the desired lens in your order.

Technical data see page 1 - 16

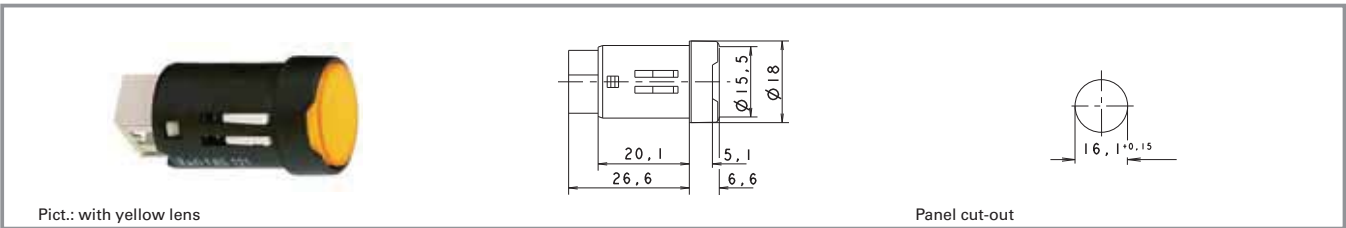
**Lenses:**

- Lens, square, transparent colourless: **5.49.075.015/1002**
- Lens, square, transparent red: **5.49.075.015/1306**
- Lens, square, transparent yellow: **5.49.075.015/1403**
- Lens, square, transparent green: **5.49.075.015/1505**
- Lens, square, transparent blue: **5.49.075.015/1607**

Do not press in lens in disassembled condition.  
A notch on the lamp socket identifies the cathode side.

1

**LUMOTAST FK - Signal lamp, round collar**



Power limit max.	Voltage limit max.	Lamp socket	Order no. without lens	Note
0.7 W	24 V	Bi-Pin T 1/T 1¼	<b>1.65.121.936/0000</b>	Please include the desired lens in your order.

LUMO  
FK

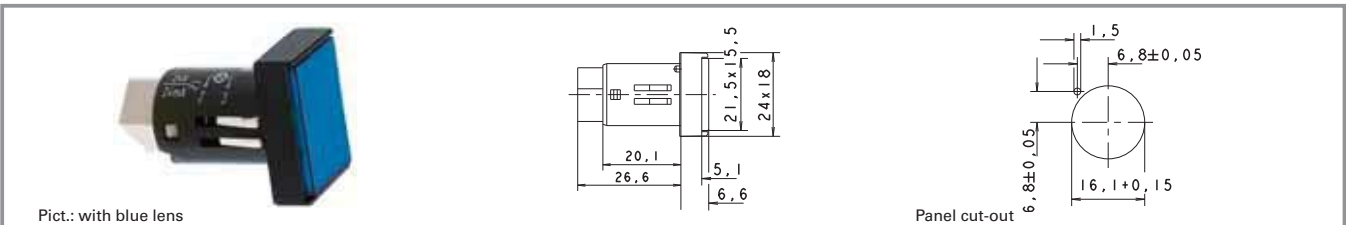
Technical data see page 1 - 16

**Lenses:**

- Lens, round, transparent colourless: **5.49.075.016/1002**
- Lens, round, transparent red: **5.49.075.016/1306**
- Lens, round, transparent yellow: **5.49.075.016/1403**
- Lens, round, transparent green: **5.49.075.016/1505**
- Lens, round, transparent blue: **5.49.075.016/1607**

Do not press in lens in disassembled condition.  
A notch on the lamp socket identifies the cathode side.

**LUMOTAST FK - Signal lamp, rectangular collar**



Power limit max.	Voltage limit max.	Lamp socket	Order no. without lens	Note
0.7 W	24 V	Bi-Pin T 1/T 1¼	<b>1.65.121.966/0000</b>	Please include the desired lens in your order.

Technical data see page 1 - 16

**Lenses:**

- Lens, rectangular, transparent colourless: **5.49.075.017/1002**
- Lens, rectangular, transparent red: **5.49.075.017/1306**
- Lens, rectangular, transparent yellow: **5.49.075.017/1403**
- Lens, rectangular, transparent green: **5.49.075.017/1505**
- Lens, rectangular, transparent blue: **5.49.075.017/1607**

Do not press in lens in disassembled condition.  
A notch on the lamp socket identifies the cathode side.