
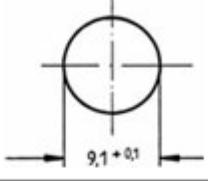

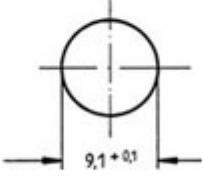


Pushbutton opaque, mounting hole diameter 9.1 mm, non-illuminated, 24 V/0.1 A				
				
Order code	Contact function	Form of collar	Lens colour	Operation Limits
1.10.107.011/0104	Momentary	x	Black	24V DC, 100mA
1.10.107.011/0205	Momentary	x	White	
1.10.107.011/0301	Momentary	x	Red	
1.10.107.011/0404	Momentary	x	Yellow	
1.10.107.011/0507	Momentary	x	Green	

Illuminable pushbutton, mounting hole diameter 9.1 mm, 24 V/0.5 A					
					
Order code	Contact function	Form of collar	Illuminability	Lens colour	Lamp Voltage
1.15.106.021/1307	Momentary	x	Filament	Colourless	24V DC, 0,7 W
1.15.106.021/1403	Momentary	x	Filament	Red	24V DC, 0,7 W
1.15.106.021/1510	Momentary	x	Filament	Yellow	24V DC, 0,7 W
1.15.106.301/0104	Momentary	x	no	Green	24V DC, 0,7 W
1.15.106.301/0214	Momentary	x	no	Black	
1.15.106.301/0313	Momentary	x	no	White	
1.15.106.301/0410	Momentary	x	no	Red	
1.15.106.301/0518	Momentary	x	no	Yellow	
1.15.106.505/1000	Momentary	x	LED	Green	
1.15.106.505/1300	Momentary	x	LED	White	2V, 10mA external series resistor
1.15.106.505/1400	Momentary	x	LED	Red	2V, 10mA external series resistor
1.15.106.505/1500	Momentary	x	LED	Yellow	2V, 10mA external series resistor
1.15.106.505/1600	Momentary	x	LED	Green	2V, 10mA external series resistor
1.15.106.505/1300	Momentary	x	LED	Blue	2V, 10mA external series resistor