



RAFIX 22FS with Quick Connect Terminals

RAFIX 22 FS Contact Blocks with Quick Connect Terminals



Compatible to all
RAFIX 22 FS actuators



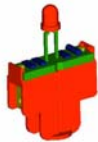
Front panel cut-out acc. to IEC
60947: 22,3 mm, with locating lug



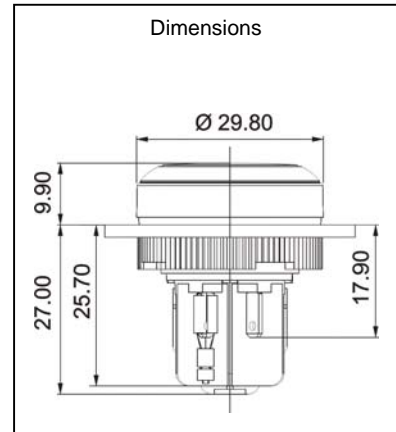
Fixed by threaded ring



RAFIX 22 FS contact block
- Quick connect / solder terminals
- 2,8 x 0,8 mm, with solder pads



Snap-in LED-Clip (24 V) for illuminated
actuators



Characteristics

- Depth behind the front panel only 27 mm, with LED-Clip and cable connector
- Quick connect / solder terminals 2,8 x 0,8 mm
- The contact blocks are plugged in before the final mounting. It can't be removed, when plugged in.
- Compatible to all RAFIX 22 FS actuators: pushbuttons, selector, key and E-stop switches and signal indicators providing all advantages of this product range:
 - Huge actuating area
 - Round and square collar shapes
 - Front panel cut-out acc. to IEC 60947: 22,3 mm, with locating lug
 - Degree of protection IP 65 (strong water jets)
- Terminals and connectors protected against accidental touching even when pulling at the cables.
- Gold contacts, for 100% reliable switching of small voltages (max. 42 V / 100 mA) or
- Silver contacts (max. 250V / 4A) for main voltage.
- Contact arrangements: 1 NC, 1 NO, 2 NC, 2 NO, 1 NC + 1 NO
- Illumination by super bright interchangeable LED clips in different colours, also with quick connect terminals 2,8 x 0,8 mm
- Actuators, contact blocks and LED clips can be stored separately and are fitted together shortly before the final mounting. So the the programme is extremely variable and reduces storing costs
- Delivery of series parts can be started in 2006