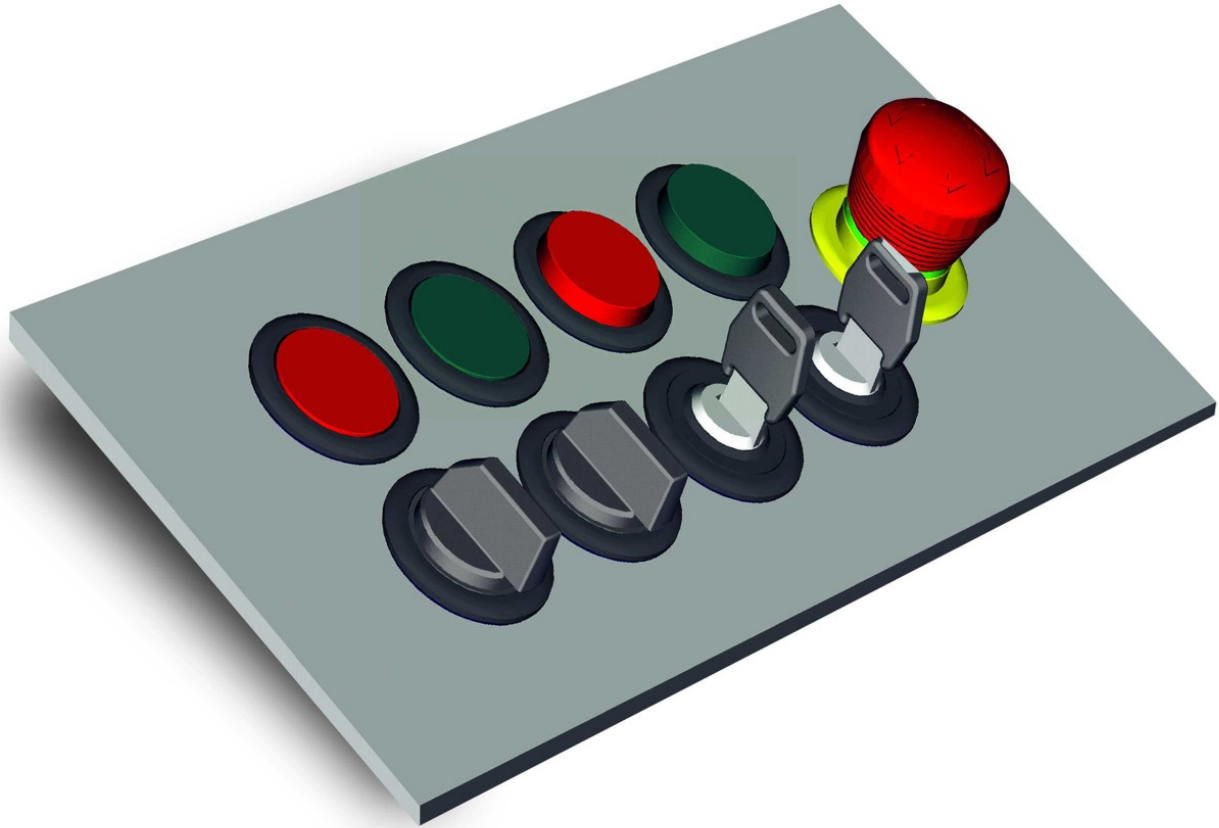


Preliminary Data Sheet

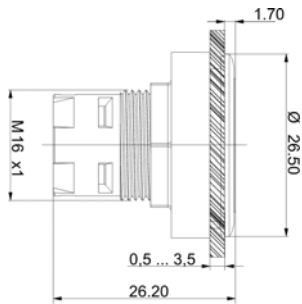
3rd of May 2005



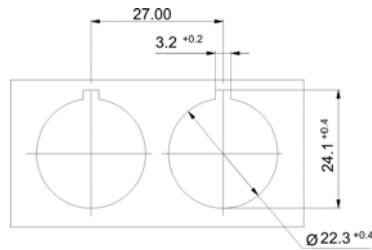
RAFIX 16 F round Control Component Range

The ultra flat control components with round collars

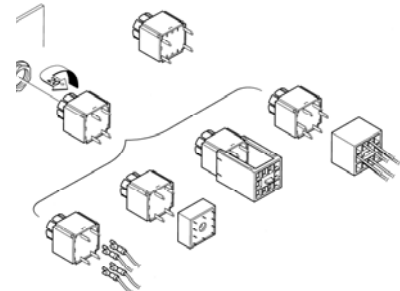
RAFIX 16 F, round collars



Dimensions of pushbutton



Panel cut-out and mounting grid



Contact blocks and accessories

Actuators RAFIX 16F, round collars

Technical data

- Extremely low profile, f.e. pushbutton only 1.7 mm height in front of the front panel
- Degree of protection from front side: IP 65
- Panel cut-out round 22,3 mm with locating lug acc. to IEC 60947-5-1
- Mounting grid 27 x 27 mm minimum
- Fully illuminable

Variants

- Pushbuttons
 - with flush lens
 - with protruding lens
- Selector switch
 - illuminable
 - not illuminable
- Key switch MICROMECC
- Emergency stop
- Signal indicator
 - with flush lens
 - with protruding lens

The actuators are compatible to all RAFIX 16 contact blocks. They snap directly onto the actuators without a coupling element and can be removed by turning.

Delivery of series parts not before October 2005.

Contact blocks RAFIX 16

Specifications

- Contact material gold or silver
- Solder / quick-connect terminals 2.8 x 0.8 mm
- PCB mounting with plug-in socket
- With or without lamp socket W 2 x 4.6d
- Direct assembly without coupling

Standard contact blocks RAFIX 16

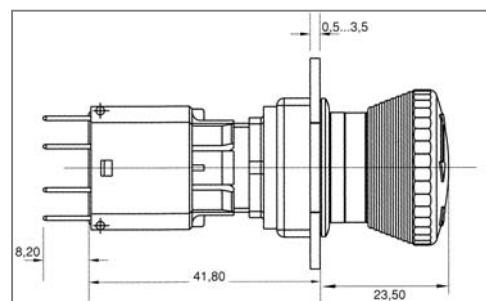
For actuators with one-way operations, e.g. pushbuttons and E-stops

- 1 actuator plunger and 1 common contact chamber
- Contact function momentary or latching

Universal contact blocks RAFIX 16

For actuators with two-way operation. e.g. selector switches and key switches

- 2 actuator plungers and 2 contact chambers
- Contact function momentary



Dimension example: E-stop with contact block